

FLOTEC

*7625 West New York Street
Indianapolis, IN 46214-4911*

Made in the USA







Quality System Certificates

FDA, CFR 21, Parts 803-820, Class I & II

ISO 13485:2009

ISO 9001:2008

CE Mark 0843

Canadian Medical Devices Conformity Assessment
System (CMDCAS)

Transportable Pressure Equipment Directive π Mark
(TPED)

InGage

Without DISS-
1240 Check
Valve



InGage

One DISS-1240
Check Valve



InGage

Two DISS-1240
Check Valves



InGage

One Female Ohio
Quick Disconnect &
One DISS-1240
Check Valve



InGage

Hand Tight
CGA-540
Pressure Reducer
with One
DISS-1240
Check Valve



InGage

Hand Tight
CGA-540
Pressure Reducer
One or Two DISS-
1240
Check Valves



InGage

Pressure gauge built into the body of the regulator eliminates failure due to gauge breakage.



InGage

Pressure gauge built into the body of the regulator eliminates failure due to gauge breakage.



InGage

Pressure gauge built into the body of the regulator eliminates failure due to gauge breakage.



InGage

Pressure gauge built into the body of the regulator eliminates failure due to gauge breakage.



InGage

Pressure gauge built into the body of the regulator eliminates failure due to gauge breakage.



InGage

Pressure gauge built into the body of the regulator eliminates failure due to gauge breakage.



InGage

Pressure gauge built into the body of the regulator eliminates failure due to gauge breakage.



InGage

Pressure gauge built into the body of the regulator eliminates failure due to gauge breakage.



Flotec's InGage virtually eliminates the #1 cause of breakage of Medical Gas Regulators

--- The pressure gauge ---





Unique Swivel Yoke & Body Design

Gauge Window and Flow Indicator Window at 12 o'clock position

DISS-1240 Check Valve at 8 o'clock position

DISS-1240 Controlled flow port at 6 o'clock position



Unique Swivel Yoke & Body Design

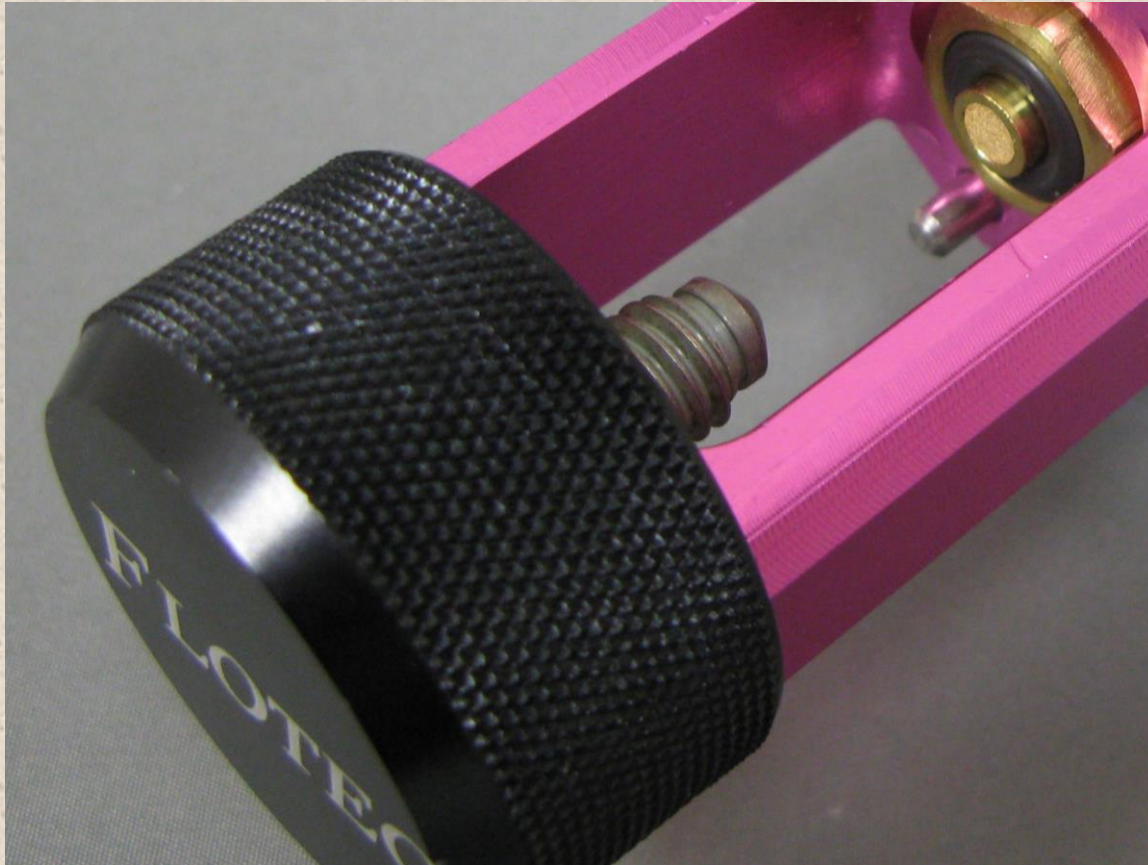
Gauge Window and Flow Indicator Window at 9 o'clock position

DISS-1240 Check Valve at 5 o'clock position

DISS-1240 Controlled flow port at 6\3 o'clock position



Unique Yoke Washer Seal

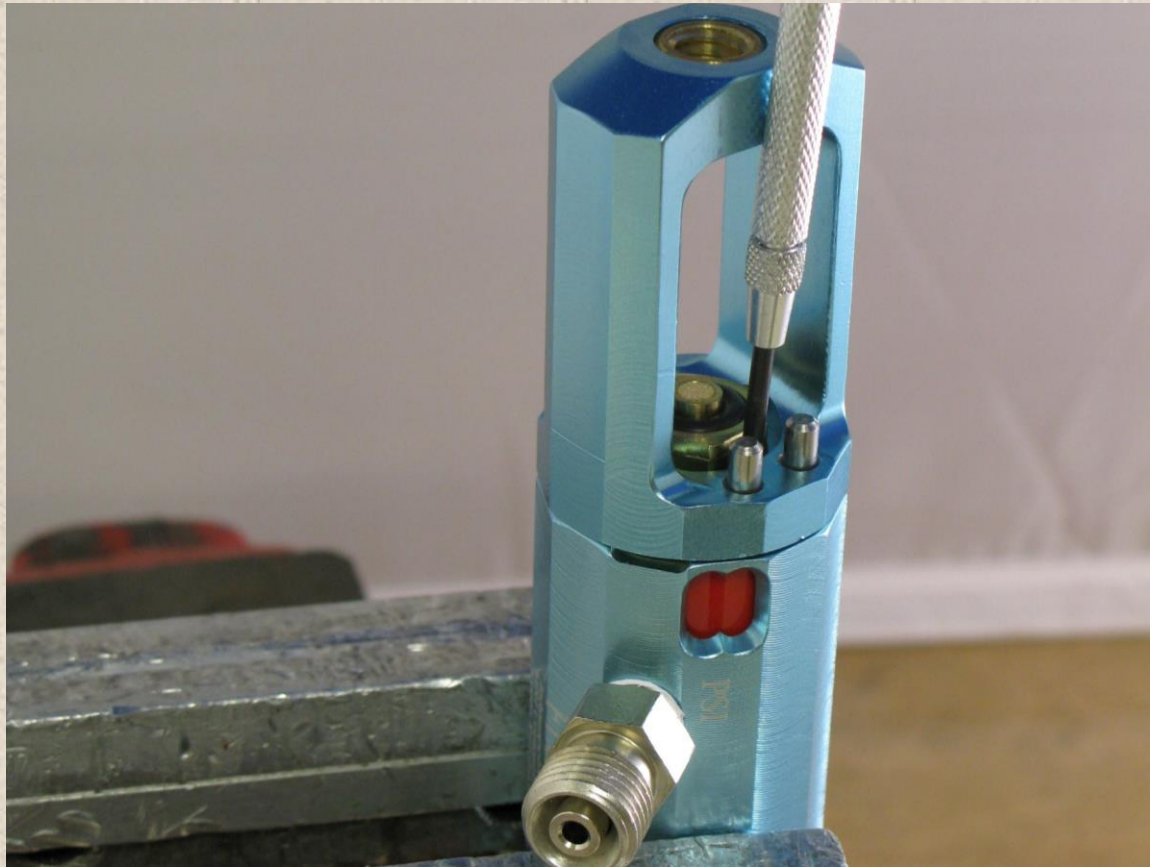


Unique Dome Handle Design

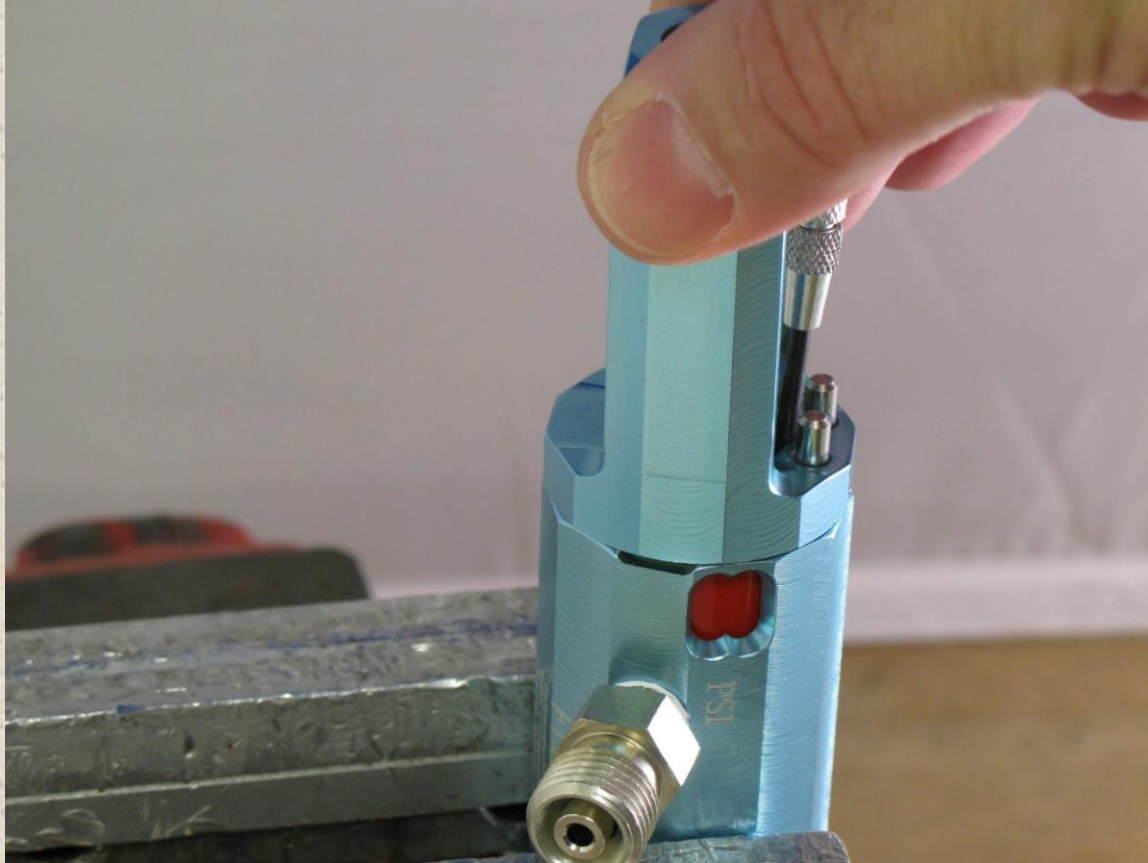


**Unique
Adjustable
Pressure Gauge
Unique Glow in
the Dark Flow
Numbers
Unique Double
Filter System
Unique Thread
Insert Design**

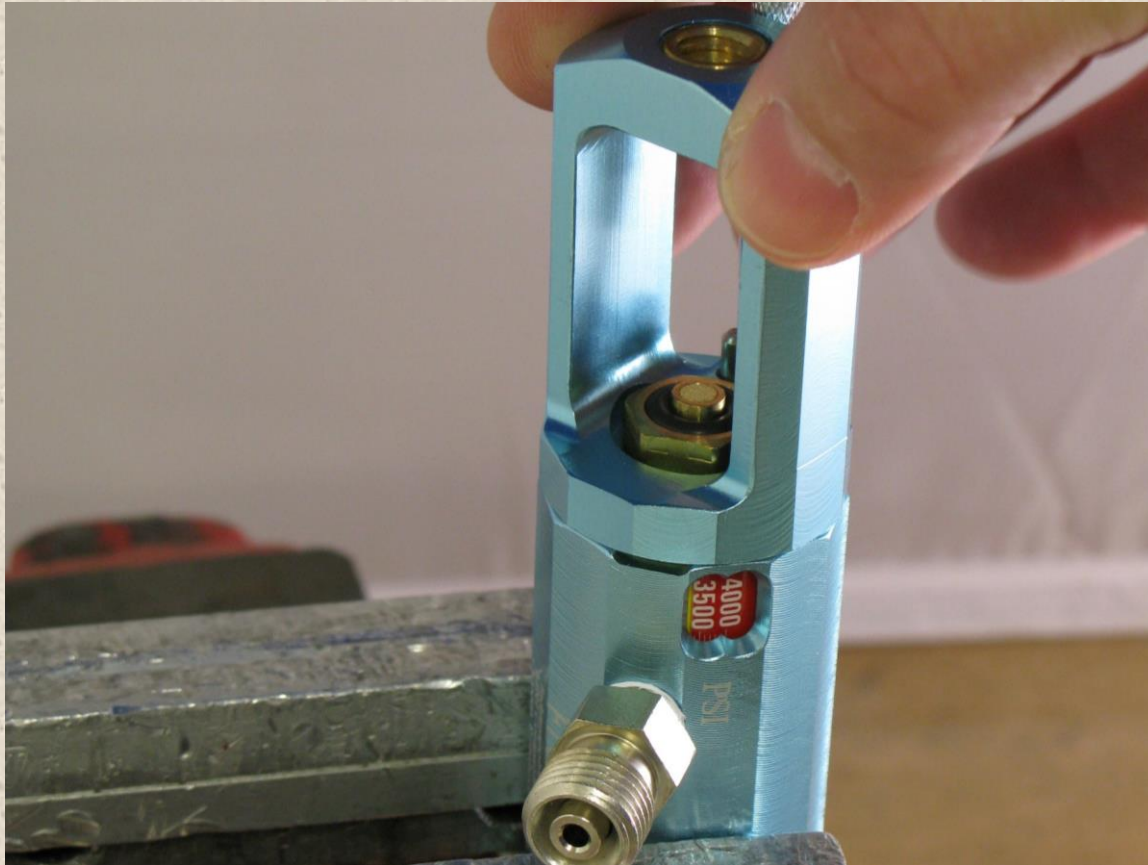




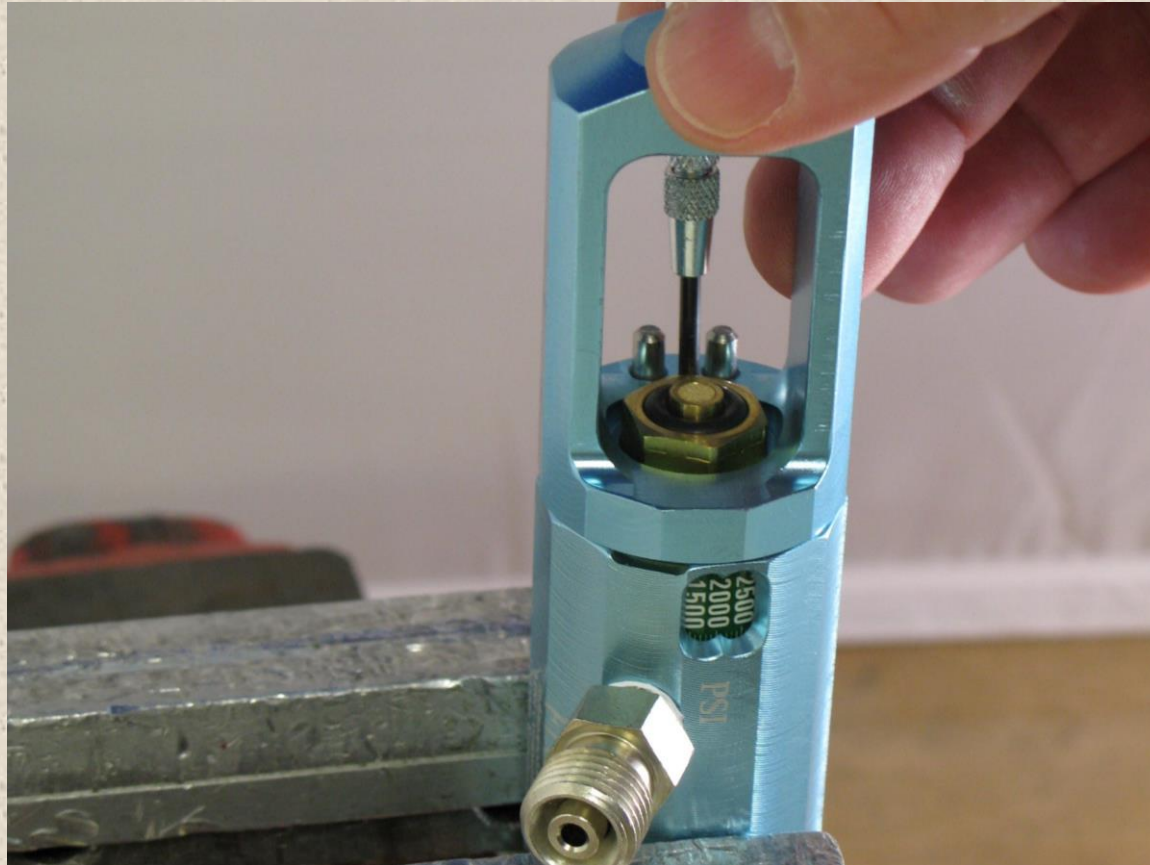
Unique Adjustable Pressure Gauge



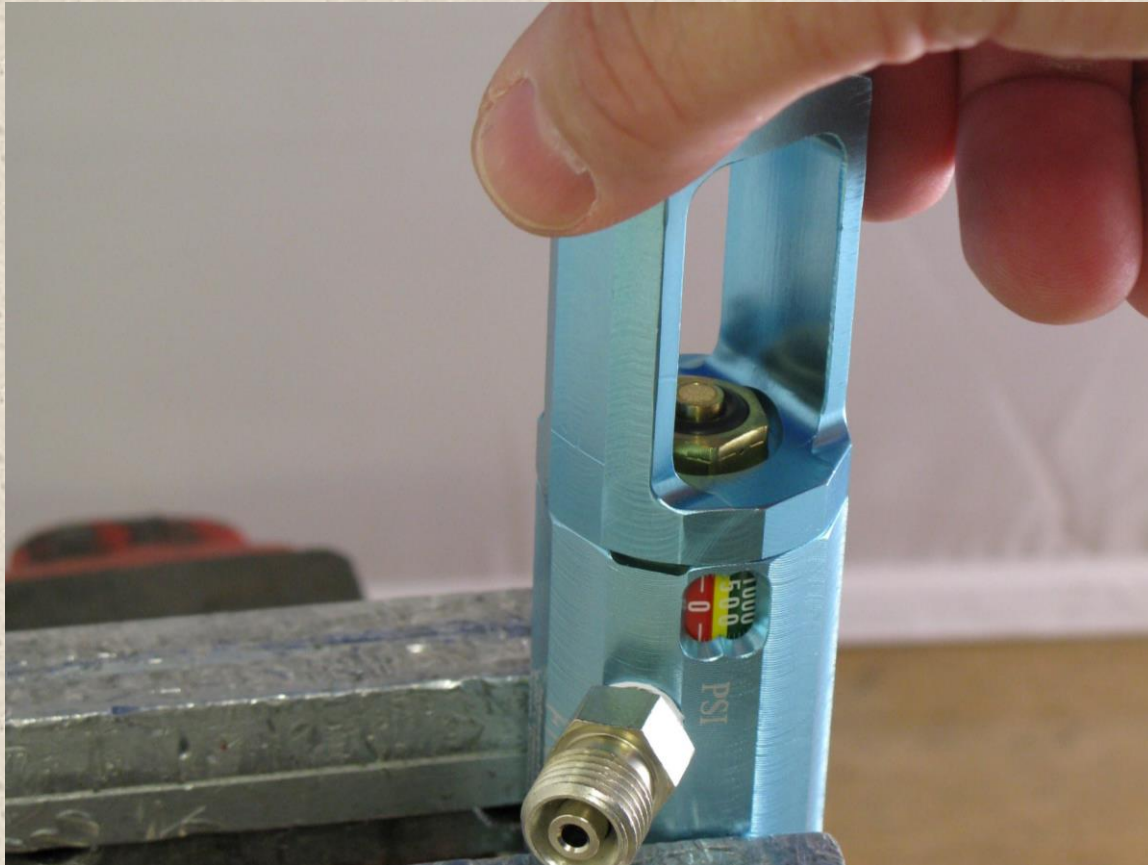
Unique Adjustable Pressure Gauge



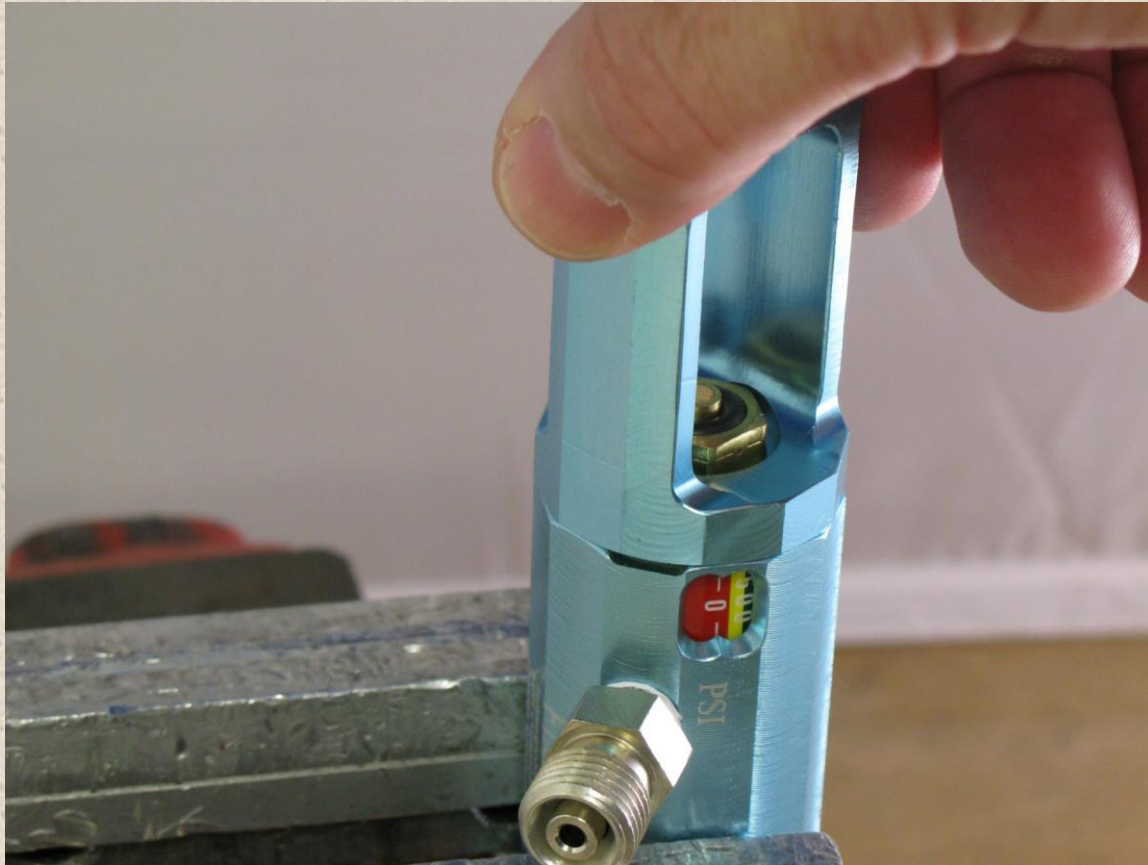
Unique Adjustable Pressure Gauge



Unique Adjustable Pressure Gauge



Unique Adjustable Pressure Gauge



Unique Adjustable Pressure Gauge



Unique Glow in the Dark Flow Numbers



Unique Double Filter System



**Unique Custom
Laser Marking
MRI Compatible
and Safe**

**Currently 17
Medical Gas
Configurations**

**Currently 41
Flow Range
Configurations**





Unique Custom Laser Marking

Medical Gas**CGA Yoke****CGA Nut & Nipple**

Carbon Dioxide	CGA 940	CGA 320
Carbon Dioxide (> 7%) / Oxygen Mix	CGA 940	CGA 500
Carbon Dioxide (\leq 7%) / Oxygen Mix	CGA 880	CGA 280
Helium	CGA 930	CGA 580
Helium (> 80%) / Oxygen Mix	CGA 930	CGA 500
Helium (\leq 80%) / Oxygen (20%) Mix	CGA 890	CGA 280
Helium (70%) / Oxygen (30%) Mix	CGA 890	CGA 280
Helium (60%) / Oxygen (40%) Mix	CGA 890	CGA 280
Nitric Oxide		CGA 660
Nitric Oxide / Medical Gas Mix		CGA 626
Nitrogen	CGA 960	CGA 580
Nitrous Oxide	CGA 910	CGA 326
Nitrous Oxide / Oxygen Mix (47.5 to 52.5%)	CGA 965	CGA 280
Medical Air (\leq 3000 psi)	CGA 950	CGA 346
Medical Air (3001 to 5500 psi)		CGA 347
Medical Gas Mix	CGA 973	CGA 500
Oxygen	CGA 870	CGA 540

FLOW RANGE	CODE												
		FLOW SETTINGS AS THEY APPEAR THRU WINDOW											
1/10 thru 1.5	A1	0.1	0.2	0.3	0.4	0.5	0.6	0.7	0.8	0.9	1	1.5	
1/10 thru 1.5 @ 20 PSI	A1	0.1	0.2	0.3	0.4	0.5	0.6	0.7	0.8	0.9	1	1.5	
1/50 thru 3	A5	0.02	0.03	0.05	0.08	0.12	0.2	0.3	0.5	0.75	1	3	
1/50 thru 3 @ 58 PSI	A5	0.02	0.03	0.05	0.08	0.12	0.2	0.3	0.5	0.75	1	3	
1/40 thru 2	B1	0.025	0.04	0.06	0.09	0.15	0.25	0.4	0.6	0.9	1.5	2	
1/32 thru 4	D2	1/32	1/16	1/8	1/4	1/2	3/4	1	1 1/2	2	3	4	
1/16 thru 4	D4	0.06	0.12	0.25	0.5	0.75	1	1.5	2	2.5	3	4	
1/32 thru 5	E1	0.03	0.06	0.12	0.25	0.5	1	1.5	2	3	4	5	
1/8 thru 6	F1	0.12	0.25	0.5	0.75	1	1.5	2	3	4	5	6	

FLOW RANGE	CODE												
		FLOW SETTINGS AS THEY APPEAR THRU WINDOW											
1/2 thru 8	H1	0.5	1	1.5	2	2.5	3	4	5	6	7	8	
1/2 thru 8 @ 20 PSI	H1	0.5	1	1.5	2	2.5	3	4	5	6	7	8	
1/2 thru 10	J1	0.5	1	1.5	2	2.5	3	4	5	6	8	10	
6 thru 12	L4	-	6	-	12	-	-	-	-	-	-	-	
1/2 thru 15	M1	0.5	1	1.5	2	3	4	5	6	8	10	15	
1/2 thru 15 @ 58 PSI	M1	0.5	1	1.5	2	3	4	5	6	8	10	15	
1/2 thru 15	M5	0.5	1	2	3	4	5	6	8	10	12	15	
1/32 thru 15	M6	1/32	1/16	1/8	1/4	1/2	3/4	1	1 1/2	2	6	15	
1/4 thru 15	MB	1/4	1/2	1	1 1/2	2	3	4	6	8	12	15	

FLOW RANGE	CODE												
		FLOW SETTINGS AS THEY APPEAR THRU WINDOW											
1/32 thru 15	MC	A	B	C	D	E	F	G	H	I	J	K	
8 thru 15 @ 58 PSI	MD	8	15	-	-	-	-	-	-	-	-	-	
6 thru 12	MX	FLOW	CPR	-	-	-	-	-	-	-	-	-	
1/4 thru 25	P1	0.25	0.5	1	2	3	4	6	8	10	15	25	
1/4 thru 25	P2	1/4	1/2	1	2	3	4	6	8	10	15	25	
1/4 thru 25 @ 58 PSI	P2	1/4	1/2	1	2	3	4	6	8	10	15	25	
1 thru 25	P4	1	2	3	4	6	8	10	12	15	20	25	
1 thru 25 @ 20 PSI	P4	1	2	3	4	6	8	10	12	15	20	25	
1 thru 25 @ 70 PSI	P4	1	2	3	4	6	8	10	12	15	20	25	

FLOW RANGE	CODE												
		FLOW SETTINGS AS THEY APPEAR THRU WINDOW											
1 thru 25 @ 70 PSI /500	P4	1	2	3	4	6	8	10	12	15	20	25	
1 thru 25	P5	1	2	3	4	5	6	8	10	12	15	25	
1/2 thru 25	P7	1/2	1	1 1/2	2	3	4	6	8	10	15	25	
8 thru 25	PA	8	12	15	25	-	-	-	-	-	-	-	
	PE	1/4	1/2	1	2	4	6	8	10	15	20	25	
1/2 thru 30	PD	1/2	2	4	6	8	10	12	15	20	25	30	
3 thru 25	PL	3	4	5	6	7	8	10	12	15	20	25	
3 thru 25 @ 70 PSI	PL	3	4	5	6	7	8	10	12	15	20	25	
1/4 thru 30	Q1	0.25	0.5	1	2	4	6	8	10	12	20	30	

FLOW RANGE	CODE												
		FLOW SETTINGS AS THEY APPEAR THRU WINDOW											
4 thru 40	Q7	4	6	8	10	12	15	20	25	30	35	40	
1 thru 60	T1	1	2	3	4	5	6	10	15	25	40	60	
25 ML thru 1 L	A2	25	50	75	100	125	150	175	200	250	500	1	
		ML	ML	ML	ML	ML	ML	ML	ML	ML	ML	L	
25 CC thru 3 L	A6	25	50	100	150	200	250	500	1	1.5	2	3	
		CC	CC	CC	CC	CC	CC	CC	L	L	L	L	
20 ML thru 3 L	C4	20	25	50	100	250	500	750	1	1.5	2	3	
		ML	ML	ML	ML	ML	ML	ML	L	L	L	L	
30 ML thru 4 L	D8	30	60	125	250	500	750	1	1.5	2	3	4	
		ML	ML	ML	ML	ML	ML	L	L	L	L	L	

**9 Different
Anodized Colors**

**All Metal
Construction**

**Anodized
Aluminum
Tri-Metal or 23k
Gold Plated
Brass
& Stainless Steel**

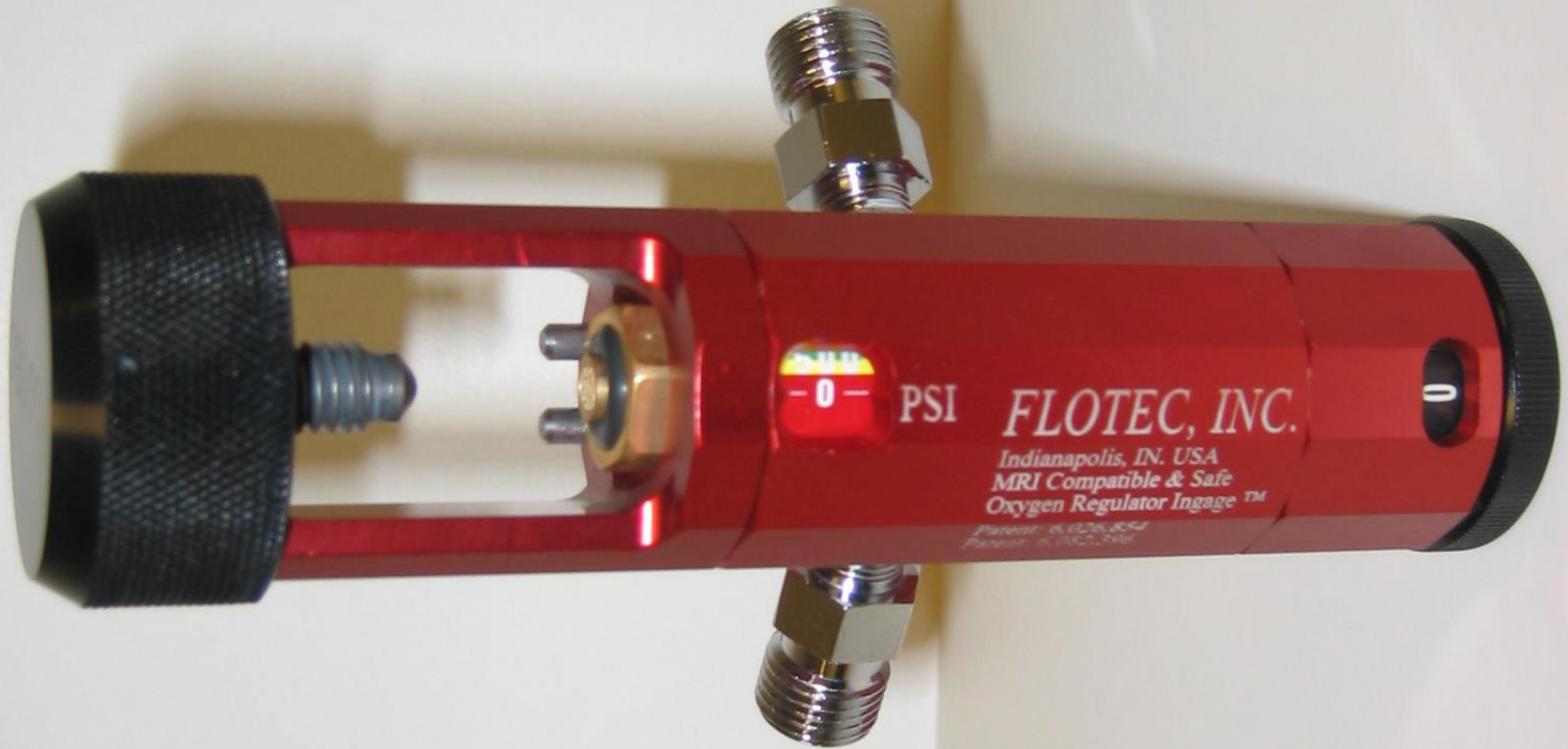


Oxygen & Medical Air

*Knurled Nut &
Nipple or Pin
Index*







Custom laser engraving is only
available from Flotec





This color is only available from Flotec





0 PSI

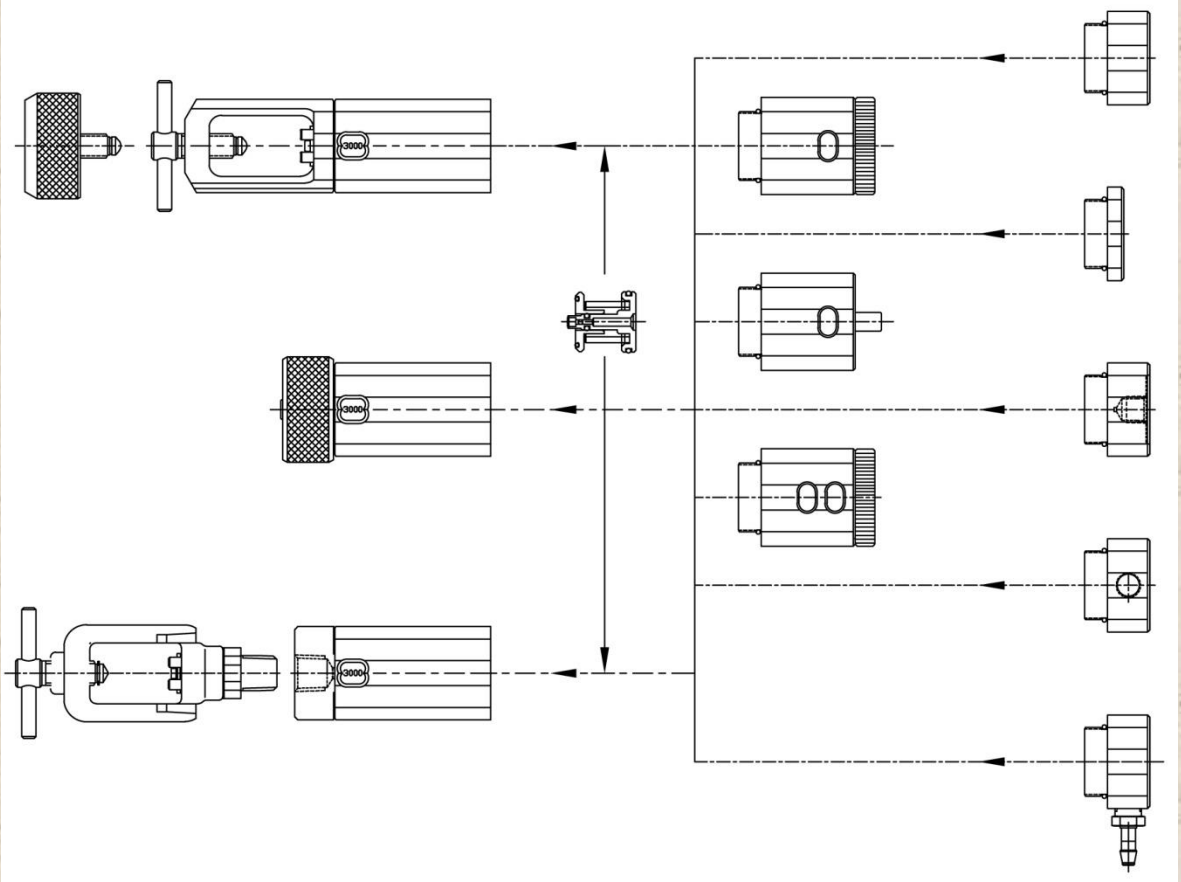
FLOTEC

Manufactured in USA
MSX Compatible & Safe
Eyes on Regulator Usage™

LPM 25

CE EC REF
0006 ENERCON
FLOTEC





Heliox 80/20, 70/30, or 60/40
Pin Index Type



Heliox 80/20, 70/30, or 60/40
Nut and Nipple Type



CGA 347

Very High Pressure Medical Air



This product is only
available from Flotec

Nitric Oxide / Medical Gas Mix



This product is only
available from Flotec

RW Series Medical Gas Regulators Large Knurled Knob Design



RW Series Medical Gas Regulators

Small Knurled Knob Design



RW Series Medical Gas Pressure Reducer
CGA540, Hand Tight, Transducer option



Crocagatorr



FLOWMETERS



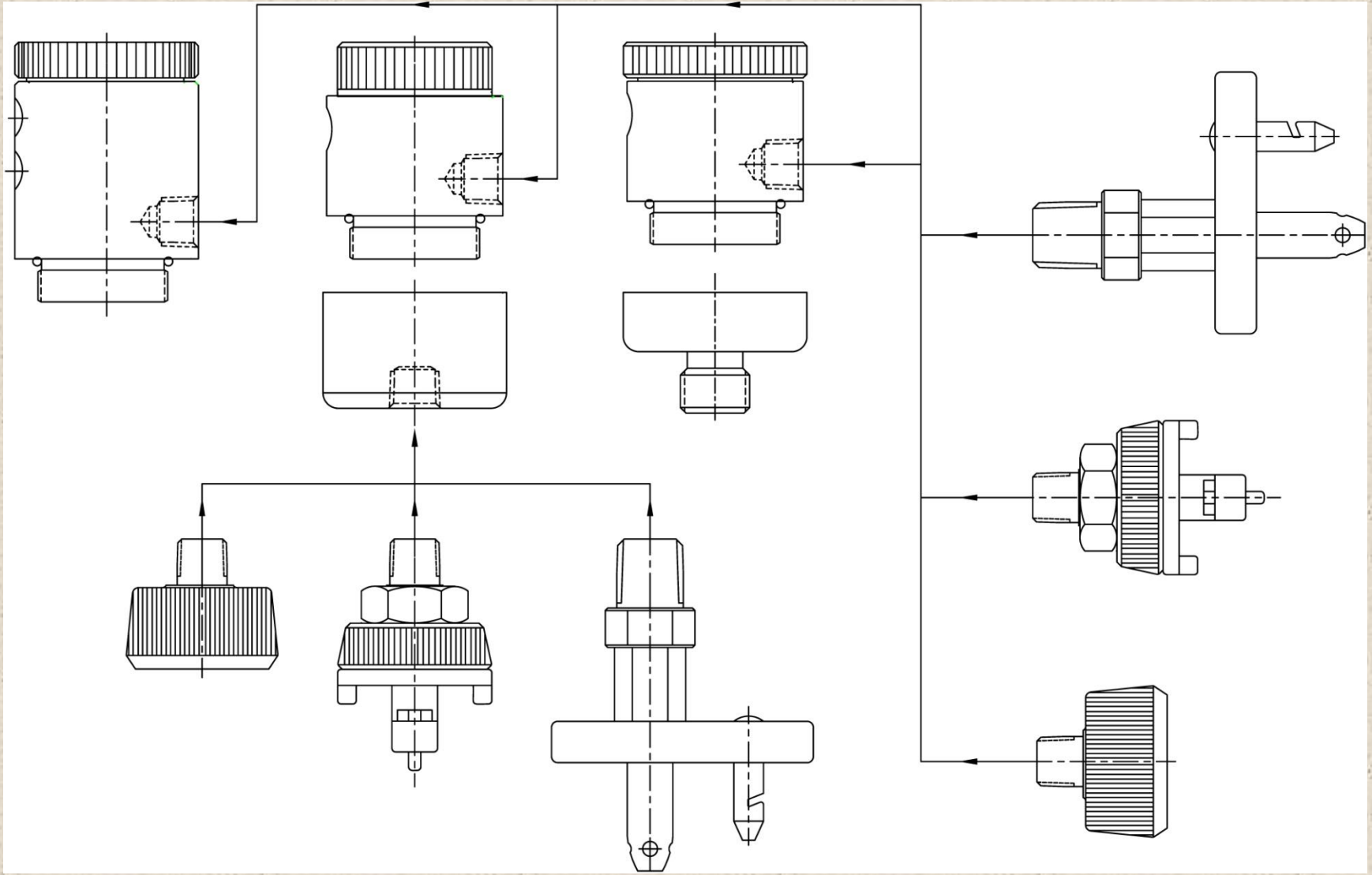
- **Non-gravity sensitive**
- **All metal**
- **Fixed orifices**
- **Glow in the Dark**
- **Larger ranges available**

**20 micron Sintered
Bronze ROTOR
Filter**







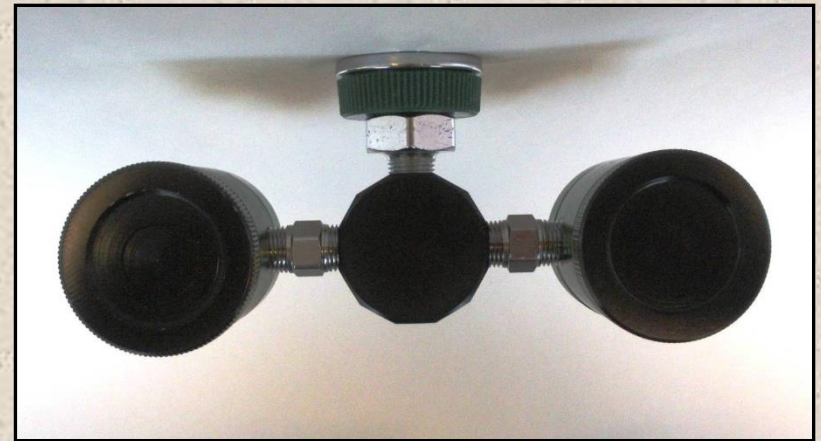


Double Flowmeter Assemblies

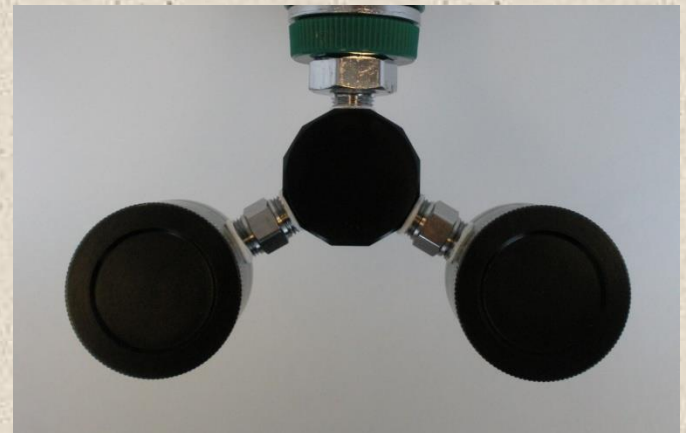
Glow in the dark LPM decals
Accurate flows in any position
Non gravity sensitive
Individually flow range



T-Block



Y-Block



Lased Rotor with Integrated Filter

Flotec's internal 20 micron filter
eliminates the second most
common cause of failure

Occluded orifices

This feature is only available from Flotec

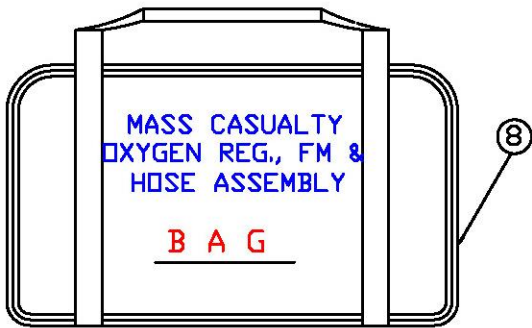
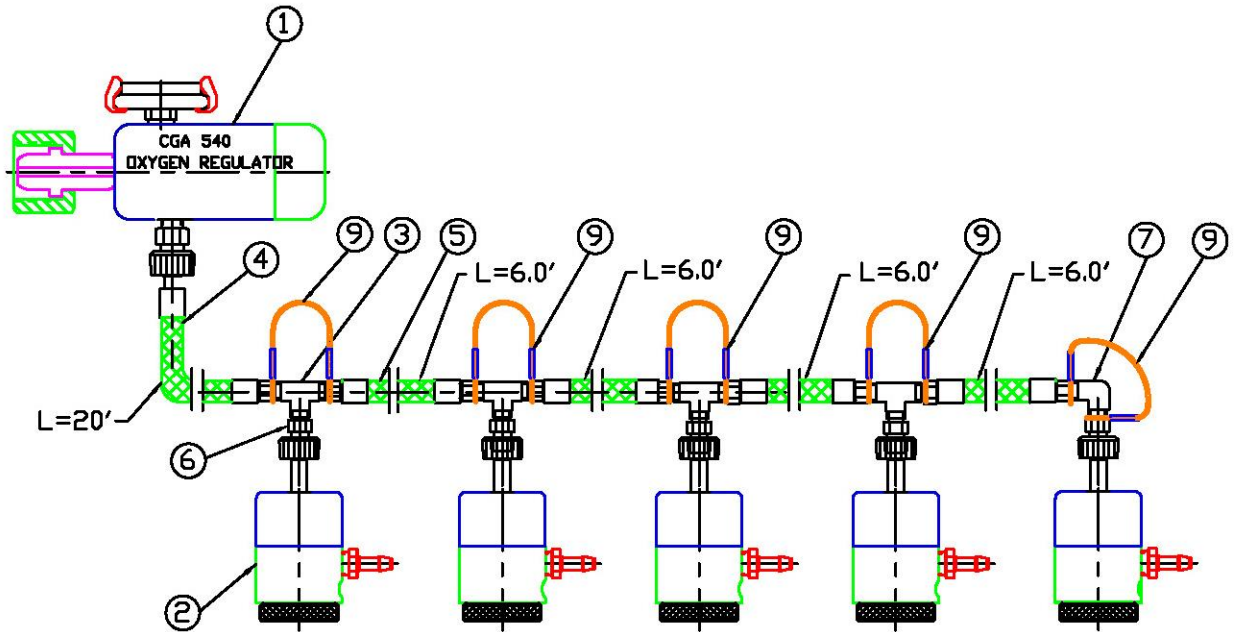
Mass Casualty Assemblies

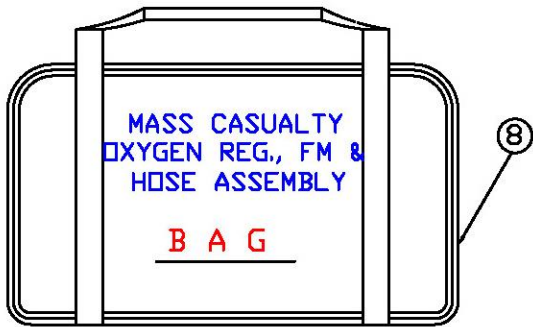
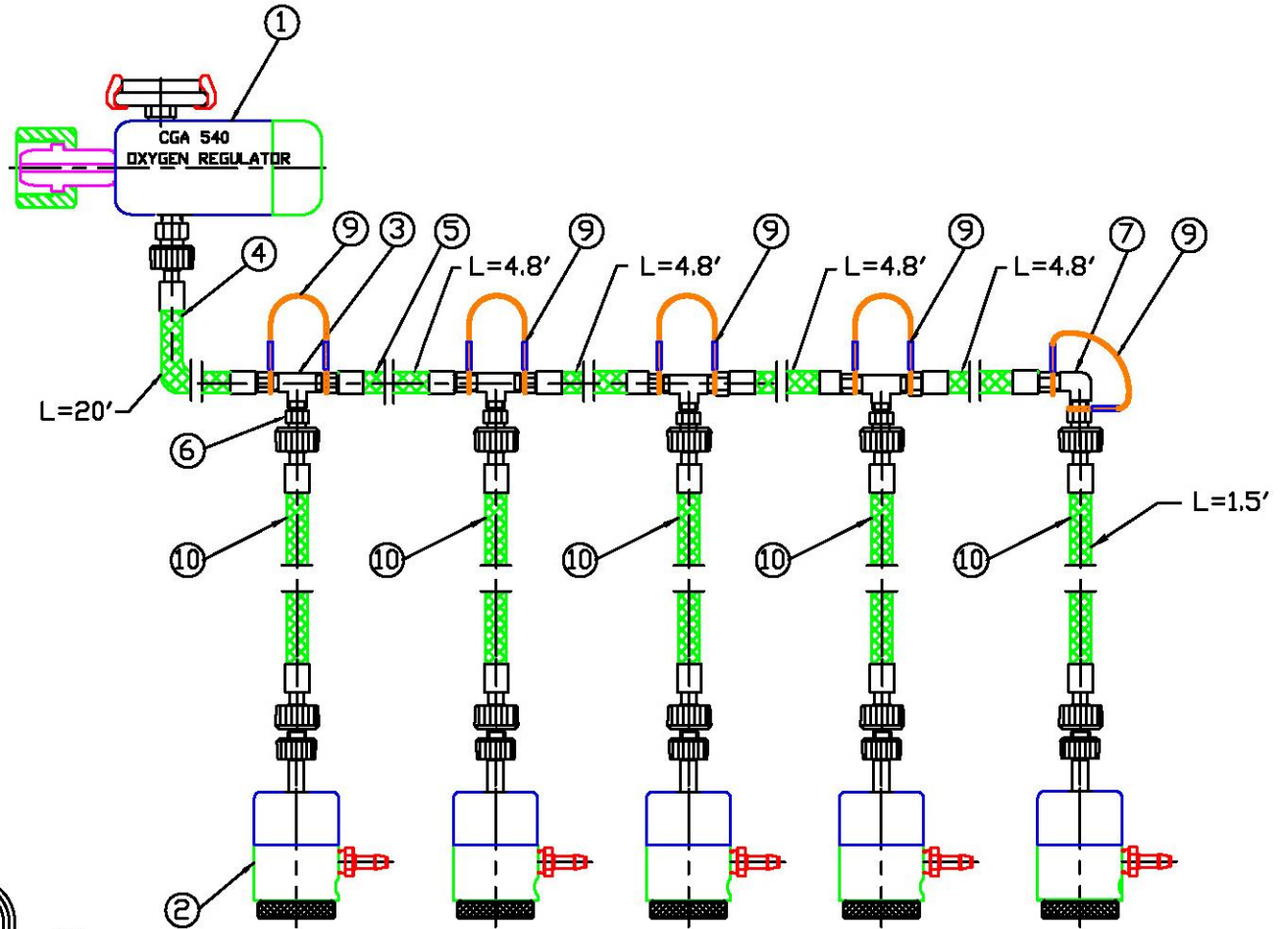


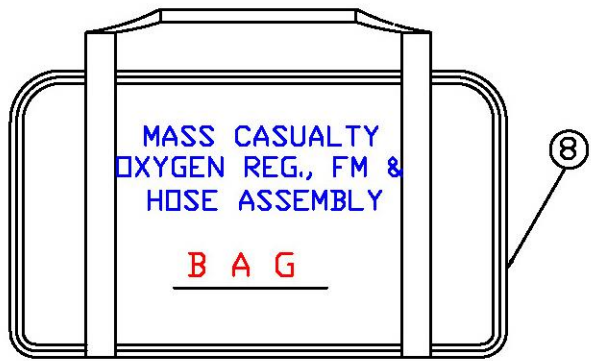
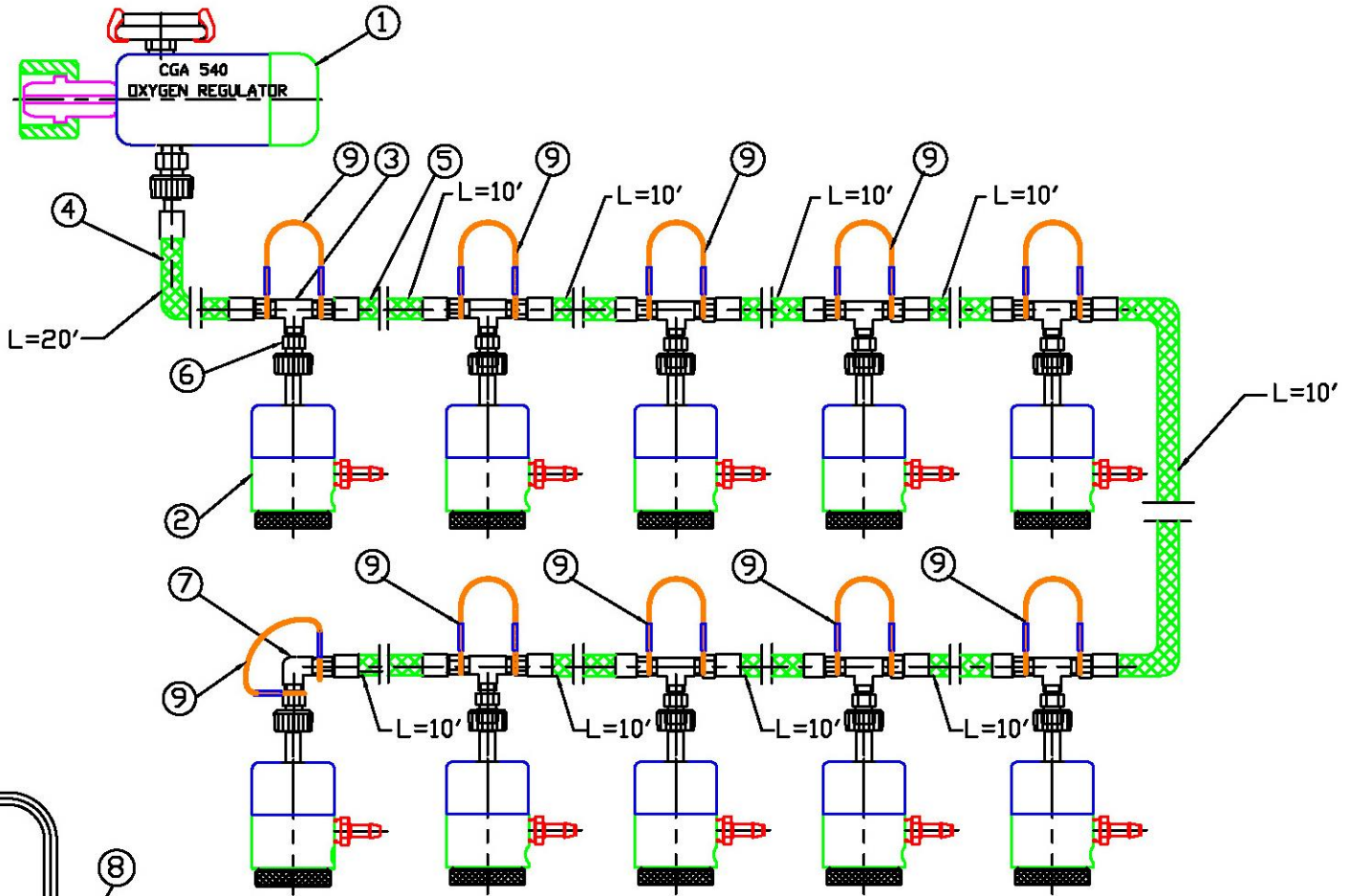
This product is only available from Flotec

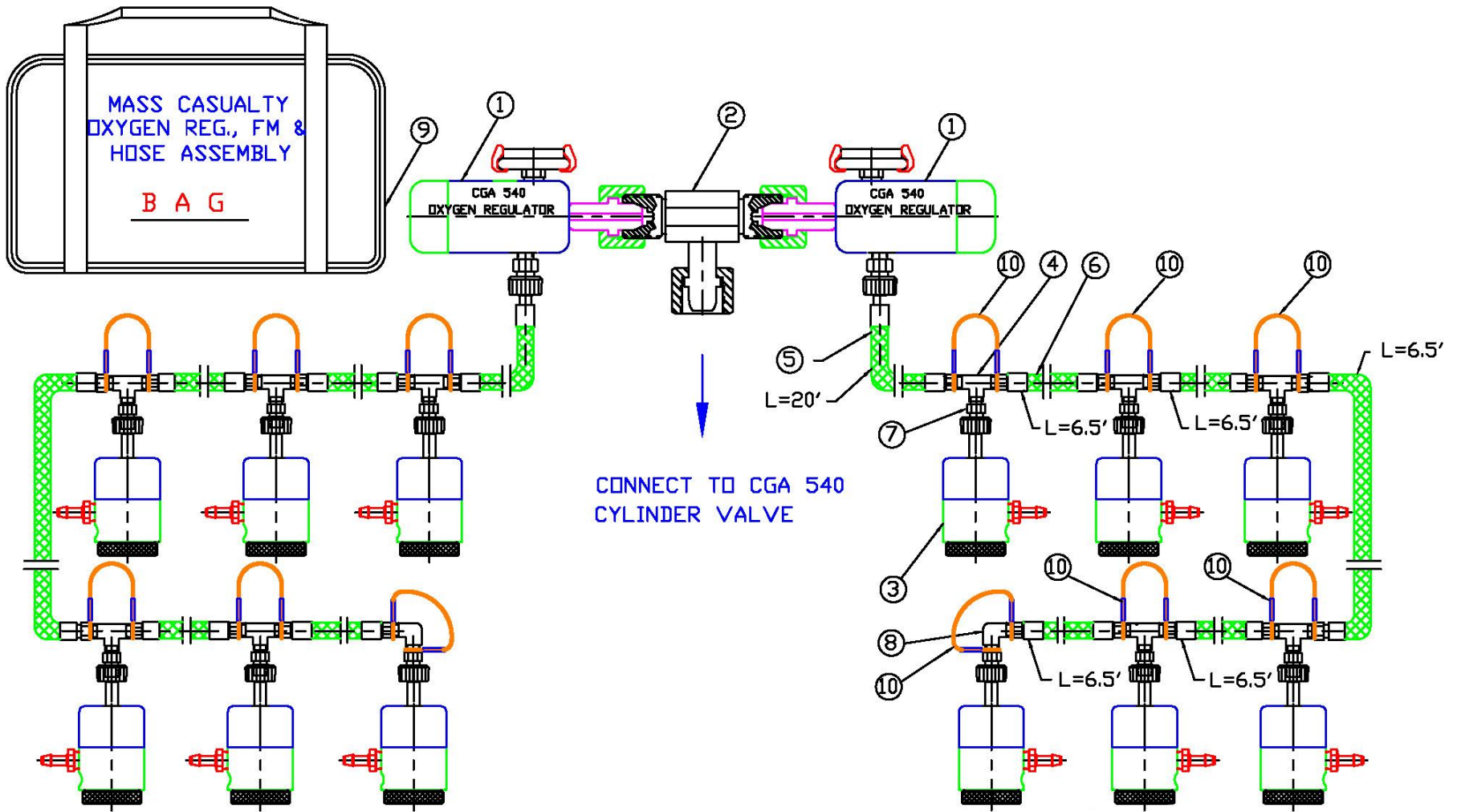












BML750 Multitorr Bag - Canvas material w/ double zipper, interior pocket, double handle with interlocking Velcro wrap



Manifold w/1 each Female DISS-1240 swivel inlet and 7 each F10-320xx Adjustable Flowmeters permanently mounted. Two wide Vinyl covered Stainless Steel legs and one Vinyl covered Stainless Steel carrying handle

**BL750
Multilatorr**



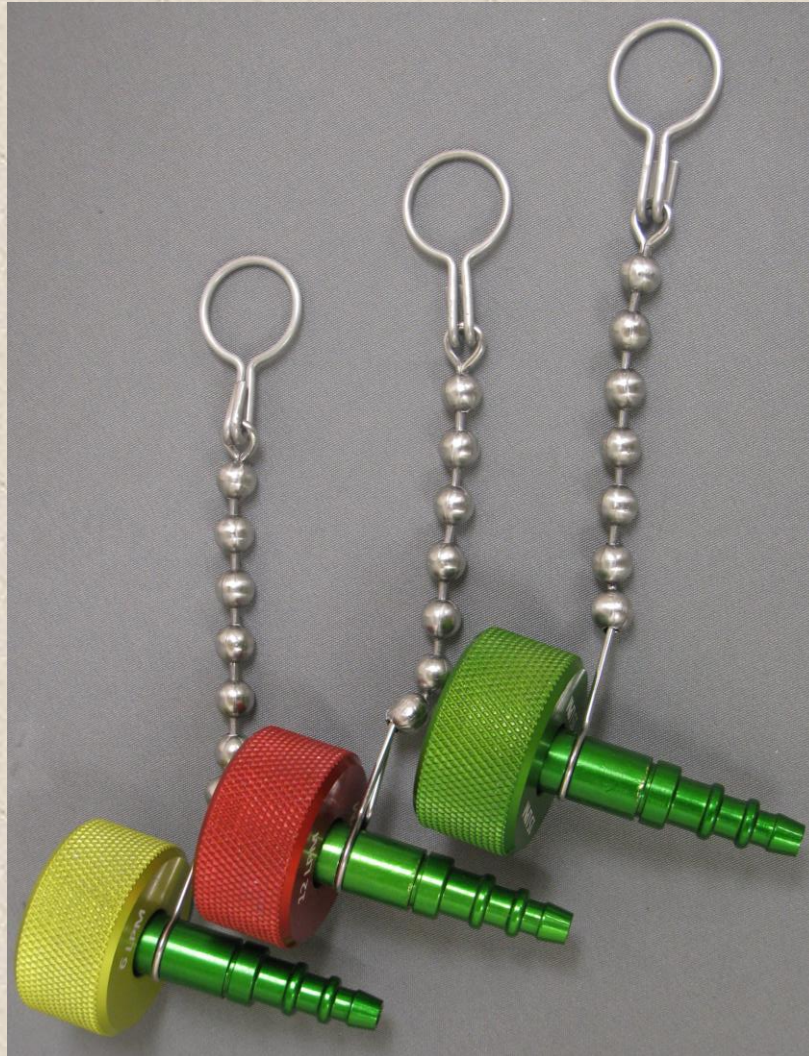
**Manifold w/1 each
Female DISS-1240 swivel
inlet and 7 DISS-1240
check valve outlets, Two
wide Vinyl covered
Stainless Steel legs and
one Vinyl covered
Stainless Steel carrying
handle**

FloGripp

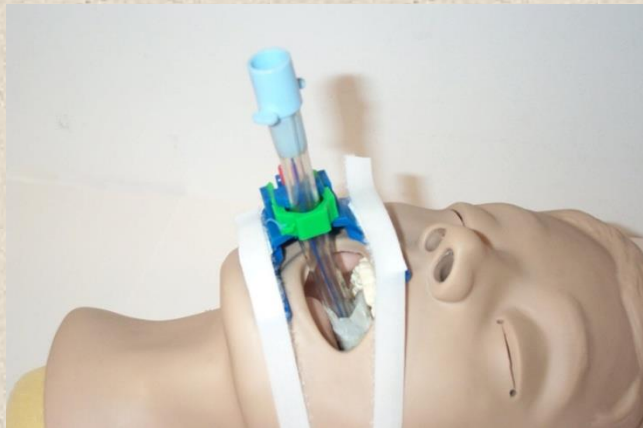
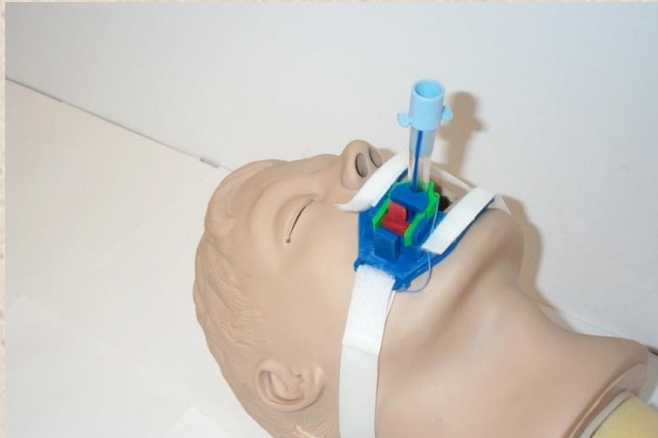
Flotec's new FloGripp™ replaces the “Toggle” lever on existing post valves



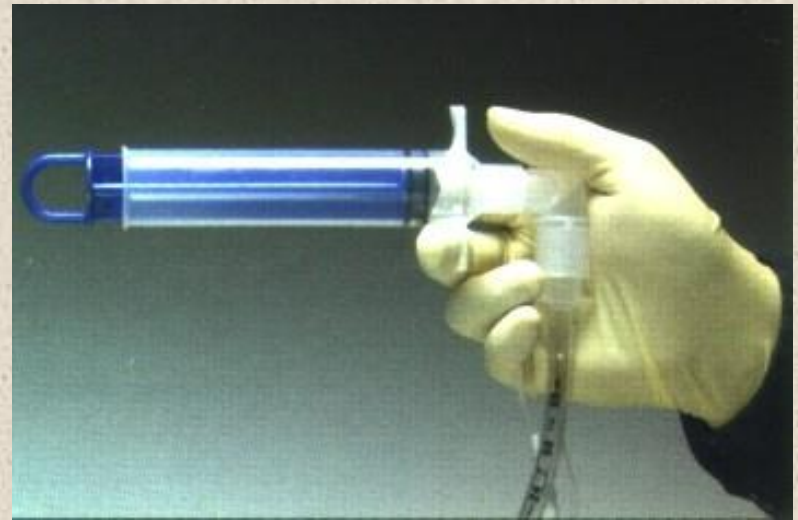
Resident Nipple Adapters



Endotracheal Tube Holder



Esophageal Detection Device



Transfill Cascade System



