

FLOTEC INC

7625 West New York Street
Indianapolis, Indiana 46214-4911
Web Site: <http://www.floteco2.com>

317-273-6960
Fax 317-273-6979

Order desk: 800-401-1723
Order desk fax: 800-515-9254
e-mail: flotec@floteco2.com

How to Order Flopac Integrated Regulator

The Flopac Series integrated regulator (IVR) contains 4 component modules consisting of the connector, body, handle assembly style, regulator body and flowmeter body, which are threaded together to form the complete regulator. To order it is necessary to SELECT and SPECIFY the features desired on each module. The R-FP Code is used to identify and select these features. Begin with the connector. Move across the list of options, select one from each section, and specify the code for that option. When finished, you will have a complete assembly number such as the following example:

- FP** - Flopac Integrated Regulator
- T** - Integral Shut off Valve w/Knurled Knob, Halo Handle Welded

Now select the Cylinder size and type. If cylinder is to be supplied separately, use XX in this space

- CE** - E size aluminum

Now select the Pressure reduced body options. Following the same procedure will produce an assembly number such as B0. This selection for example identifies a:

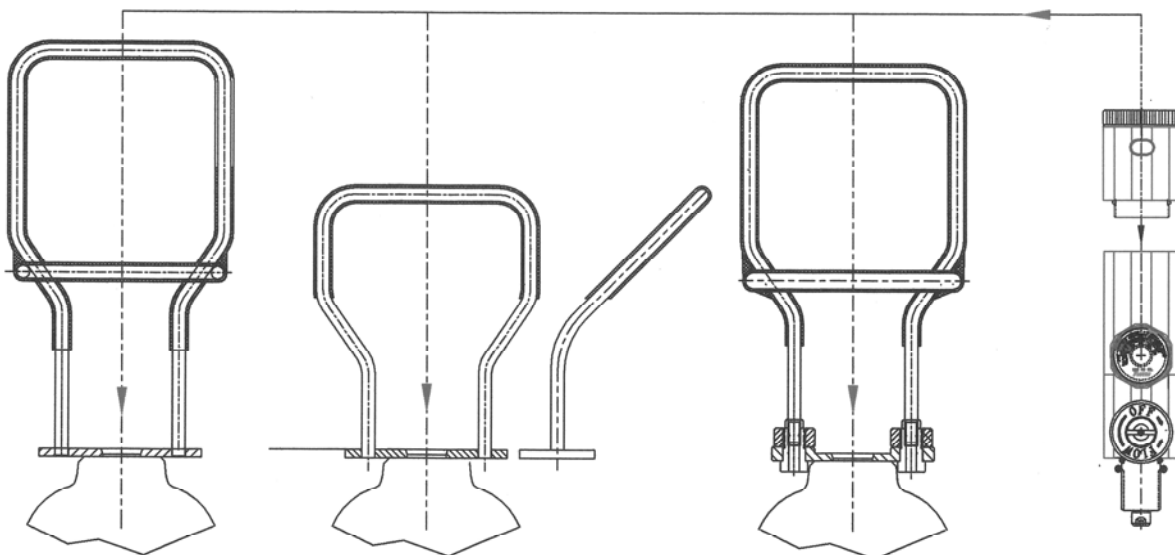
- B** - One DISS-1240 Check Valve @ 180 degree radial
- 0** - No Pressure Body Outlets
- 3** - Color Option (if no code is entered, default color will be used which is light blue)

Now select the Flowmeter module options. Following the same procedure will produce an assembly number such as 700P6. This number, for example identifies a:

- 7** - Large Diameter Knurled Knob
- 0** - Window @ 0 degree radial & Hose Barb @ 180 degree radial
- 0** - No Flow Cartridge Options
- 3** - Color Option (if no code is entered, default color will be used which is light blue)

- P8** - 0 thru 25 LPM flow range (see B-Flows.123 for full selection of available flow ranges)

Combining the four assembly numbers as selected above will provide a complete Flopac integrated regulator part number with a cylinder such as: FPT-CE-B03-7003P8.



----- FLOW RANGE:

See B-Flows chart for part number and list price

----- COLOR OPTION:

- NONE - Lt Blue Anodized Body
- 2 - Silver Anodized Body
- 3 - Green Anodized Body
- 4 - Yellow Anodized Body
- 5 - Blue Anodized Body
- 6 - Red Anodized Body
- 7 - Brown Anodized Body
- 8 - Gold Anodized Body
- 9 - Black Anodized Body
- A - Purple Anodized Body
- B - Orange Anodized Body
- G - Gold Plated Brass Body (No Aluminum)
- T - Tri-Metal Plated Brass Body (No Aluminum)

-OR-

FITTING OUTLET:

- A - 1 LPM Orifice
- B - 2 LPM Orifice
- C - 3 LPM Orifice
- D - 4 LPM Orifice
- E - 5 LPM Orifice
- F - 6 LPM Orifice
- H - 8 LPM Orifice
- J - 10 LPM Orifice
- L - 12 LPM Orifice
- M - 15 LPM Orifice
- N - 20 LPM Orifice
- P - 25 LPM Orifice
- T - 60 LPM Orifice
- V - 70 LPM Orifice
- W - 1/2 LPM Orifice (discontinued)

----- FLOW CARTRIDGE OPTIONS:

- 0 - No Flow Cartridge Options
- A - 20 PSI Outlet Pressure

-OR-

CAP OPTIONS:

- 0 - Plain Cap, No Outlets
- 1 - Hose Barb 1/8" MNPT
- 2 - 1/8" FNPT
- 4 - 3/16" Female SAE Boss Port
- 6 - Hose Barb 3/16" SAE Boss
- 7 - DISS-1240 Fitting
- B - One DISS-1240 Check Valve
- H - Hansen QD
- P - Puritain Bennett QD

----- WINDOW & CONTROLLED FLOW OUTLET POSITIONS:

- 0 - Window @ 0 & Hose Barb @ 180
- 1 - Window @ 0 & DISS-1240 Fitting @ 180
- 2 - Window @ 0 & 1/8" Female Pipe Port @ 180
- 7 - Window @ 0 & Hose Barb @ 0
- H - Window @ 0 & Clear Hose Barb @ 180
- N - Window @ 0 & DISS-1240 Fitting & HBD2 @ 180
- W - One DISS-1180 Check Valve

-OR-

CAP OUTLET POSITIONS:

- 0 - Outlet on Centerline
- 2 - Outlet @ 0
- 3 - Outlet @ 90
- 6 - Outlet @ 180
- 9 - Outlet @ 270

----- FLOW CARTRIDGE CONFIGURATION:

- 6 - Cap
- 7 - Large Diameter Knurled Knob
- 8 - Shrouded Knob

----- COLOR OPTION:

- NONE - Lt Blue Anodized Body
- 2 - Silver Anodized Body
- 3 - Green Anodized Body
- 4 - Yellow Anodized Body
- 5 - Blue Anodized Body
- 6 - Red Anodized Body
- 7 - Brown Anodized Body
- 8 - Gold Anodized Body
- 9 - Black Anodized Body
- A - Purple Anodized Body
- B - Orange Anodized Body
- G - Gold Plated Brass Body (No Aluminum)
- T - Tri-Metal Plated Brass Body (No Aluminum)

----- BODY OPTION(S):

- 0 - No Body Options
- A - 20 PSI Outlet Pressure

----- PRESSURE REDUCED BODY OUTLET(S):

- 0 - No Pressure Body Outlets
- 1 - One DISS-1240 Check Valve
- 2 - One 1/8" FNPT (Plugged)
- 3 - Two DISS-1240 Check Valves
- 4 - Two 1/8" FNPT (Plugged)
- 6 - One DISS-1240 Check Valve & One 1/8" FNPT (Plugged)
- 7 - One DISS-1160 Check Valve @ 180
- B - One DISS-1240 Check Valve @ 180
- E - One Female Ohio QD & One DISS-1240 Check Valve
- H - One Female Ohio QD
- J - One DISS-1240 Check Valve @ 330
- P - Two DISS-1240 Check Valves w/ One HBD2-50-10
- Q - One Female Chemetron QD & One DISS-1240 Check Valve
- R - Hansen QD
- S - One DISS-1060 Check Valve @ 180
- U - One Hansen QD & One DISS-1240 Check Valve
- V - One 1/8" FNPT (Plugged) @ 180
- W - One DISS-1180 Check Valve

----- CYLINDER SIZE & TYPE:

- XX - No Cylinder
- CB - B size Aluminum
- CC - C size Aluminum
- CD - D size Aluminum
- CJ - Jumbo D size Aluminum
- CE - E size Aluminum
- CM - M size Aluminum
- CFA - A size Composite
- CFB - B size Composite
- CFC - C size Composite
- CFD - D size Composite
- CHB - B size 3000 PSI Aluminum
- CHC - C size 3000 PSI Aluminum
- CHD - D size 3000 PSI Aluminum
- CHE - E size 3000 PSI Aluminum
- CLD - D size Lightweight Steel
- CLE - E size Lightweight Steel
- xHx - 3000 PSI set up, NO CYLINDER

----- VALVE OPTIONS:

- 1 - Integral Shut Off Valve w/ Knurled Knob, Halo Handle, Welded (replaced by T)
- 3 - Integral Shut Off Valve w/ Knurled Knob, Bent Handle, Adapter (replaced by B)
- 4 - Integral Shut Off Valve w/ Knurled Knob, Halo Handle, Adapter (discontinued)
- 5 - Integral Shut Off Valve w/ Knurled Knob, Bent Handle, CGA 280, Adapter (replaced by C)
- 6 - Integral Shut Off Valve w/ Knurled Knob, Halo Handle, CGA 346, Welded (replaced by D)
- 7 - Integral Shut Off Valve w/ Knurled Knob, Halo Handle, 1/2-14 NGT, Adapter (discontinued)
- 8 - Integral Shut Off Valve w/ Knurled Knob, Halo Handle, 1/2-14 NGT, Welded (replaced by G)
- 9 - Integral Shut Off Valve w/ Knurled Knob, Halo Handle, External 1.4", 3000 PSI Gauge, Welded
- A - Integral Shut Off Valve w/ Knurled Knob, Halo Handle, 1/2-14 NGT, External 1.4", 3000 PSI Gauge, Welded (discontinued)
- P - Integral Shut Off Valve w/ Knurled Knob, No Handle (replaced by H)
- OutGage
 - B - Integral Shut Off Valve w/ Knurled Knob, Bent Handle, Adapter, External 1.25", 3000 PSI Gauge
 - C - Integral Shut Off Valve w/ Knurled Knob, Bent Handle, CGA 280, Adapter, External 1.25", 3000 PSI Gauge
 - D - Integral Shut Off Valve w/ Knurled Knob, Halo Handle, CGA 346, Welded, External 1.25", 3000 PSI Gauge
 - G - Integral Shut Off Valve w/ Knurled Knob, Halo Handle, 1/2-14 NGT, Welded, External 1.25", 3000 PSI Gauge
 - H - Integral Shut Off Valve w/ Knurled Knob, No Handle, External 1.25", 3000 PSI Gauge
 - T - Integral Shut Off Valve w/ Knurled Knob, Halo Handle, Welded, External 1.25", 3000 PSI Gauge
- RECONDITIONED
 - 2 - Integral Shut Off Valve w/ Knurled Knob, Bent Handle, Adapter, External 1.25" 3000 PSI Gauge
 - E - Integral Shut Off Valve w/ Knurled Knob, Halo Handle, Welded, External 1.25" 4000 PSI Gauge, for 3000 psi cylinders
 - F - Integral Shut Off Valve w/ Knurled Knob, Halo Handle, Adapter, External 1.25" 4000 PSI Gauge, for 3000 psi cylinders
 - J - Integral Shut Off Valve w/ Knurled Knob, No Handle, External 1.25", 3000 PSI Gauge
 - K - Integral Shut Off Valve w/ Knurled Knob, Halo Handle, Welded, External 1.25" 3000 PSI Gauge
 - L - Integral Shut Off Valve w/ Knurled Knob, Halo Handle, Adapter, External 1.25" 3000 PSI Gauge
 - R - Integral Shut Off Valve w/ Knurled Knob, Halo Handle, Welded (discontinued)
 - S - Integral Shut Off Valve w/ Knurled Knob, Halo Handle, Adapter (discontinued)

----- PRODUCT GROUP:

FP - Flopac cylinder mounted Ingage Regulator