

FLOTEC INC

7625 West New York Street
Indianapolis, Indiana 46214-4911
Web Site: <http://www.floteco2.com>

317-273-6960
Fax 317-273-6979

Order desk: 800-401-1723
Order desk fax: 800-515-9254
e-mail: flotec@floteco2.com

How to Order MCA Series Oxygen Flowmeter Distribution Assemblies

The MCA Series Oxygen Flowmeter Distribution Systems consist of a pressure reducing oxygen regulator, oxygen supply leader hose, adjustable flow range oxygen flowmeters at preselected intervals and optional flowmeter drop hoses for hanging applications and usage within mobile hospital shelter systems.

To order it is necessary to SELECT and SPECIFY the features desired for each portion of the system. The R-MCA Code is used to identify and select these features. Begin with the pressure reducing regulator. Move across the list of options, select one from each section, and specify the code for that option. When finished, you will have an assembly number such as MCA-226P7-20FX0. This number, for example identifies a:

MCA- Mass Casualty Assembly
2 - InGage Series DR5303-6003 CGA-540 Hand-Tight Oxygen Cylinder Regulator

Now select the Storage / Carry Bag size and type:
2- BML755 (Short Mass Casualty Bag w/ deep depth)

Now select the number of flowmeters desired and the preferred liter per minute flow range. Note that the maximum flows for each flowmeter should not exceed 150 LPM when added together. This number, for example identifies a:
6P7- Six Flowmeters w/ 0 thru 25 LPM Flow Ranges

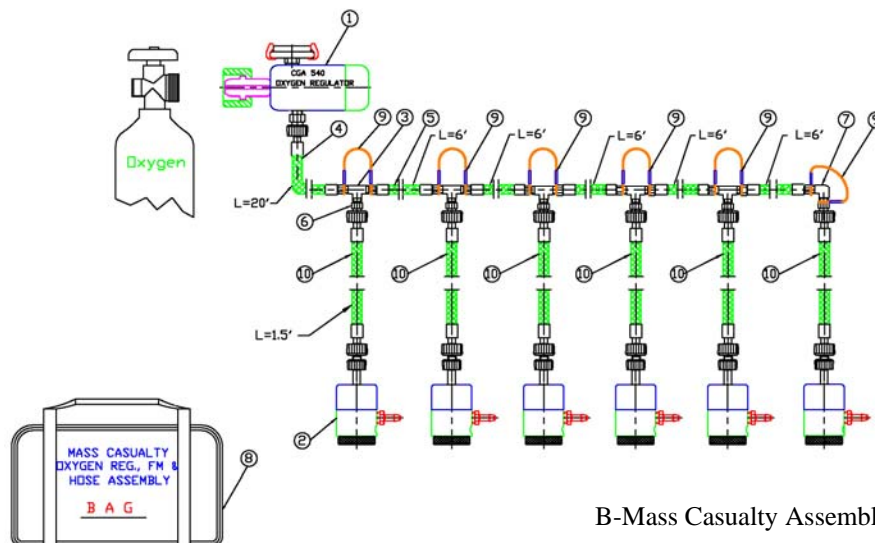
Now select the desired length for the oxygen supply leader hose.
20- 20 ft. length

Next select the number of flowmeter spreads and drops. (Note that the number of drops and the previously chosen number of flowmeters should be the same) Also select whether you prefer the Swivel T Option.
E- 5 spread – 6 Drops WITH Swivel T Option

Next select the flowmeter interval spread length.
X- 60" Overall Interval Length

Lastly select whether you prefer to have the flowmeter drop lines or not.
0- No Drop Lines

Combining the eight component modules above will provide a complete MCA Multiple Oxygen Flowmeter Distribution System.



Drop Length

- 0 - no drop DCV only
- A - 18" w/ DCV outlet (HAG3-3S-8S-18)
- B - 80" & 136" w/ DCV outlet (HAG3-3S-8S-80 & HAG3-3S-8S-136)
- G - 60" w/ DCV outlet (HAG3-3S-8S-60)
- H - 6" w/ DCV outlet (HAG3-3S-8S-6)
- V - no drop Female Ohio Quick Disconnect only (QDO2-12)

Spread Length

- 0 - none
- 1 - 120" OAL (HAG3-12-12-120)
- C - 48" OAL (HAG3-12-12-48)
- D - 52" OAL (HAG3-12-12-52)
- E - 6" OAL (HAG3-12-12-6)
- S - 58" OAL (HAG3-12-12-58)
- T - 59" & 118" & 59" OAL (HAG3-12-12-59 & HAG3-12-12-118 & HAG3-12-12-59)
- U - 60" OAL (HAG3-12-12-60)
- X - 72" OAL (HAG3-12-12-72)
- Z - 78" OAL (HAG3-12-12-78)

of Spread and Drop

- 0 - no spread - 1 drop (AF222-2-2)
- 1 - 1 spread - 2 drops (B-22-T-22S & AF222-2-2)
- 2 - 2 spread - 3 drops (2 ea B-22-T-22S & AF222-2-2)
- 3 - 3 spread - 4 drops (3 ea B-22-T-22S & AF222-2-2)
- 4 - 4 spread - 5 drops (4 ea B-22-T-22S & AF222-2-2)
- 5 - 5 spread - 6 drops (5 ea B-22-T-22S & AF222-2-2)
- 6 - 6 spread - 7 drops (6 ea B-22-T-22S & AF222-2-2)
- 7 - 7 spread - 8 drops (7 ea B-22-T-22S & AF222-2-2)
- 8 - 8 spread - 9 drops (8 ea B-22-T-22S & AF222-2-2)
- 9 - 9 spread - 10 drops (9 ea B-22-T-22S & AF222-2-2)
- E - Two each 5 spread - 6 drops (10 ea B-22-T-22S & 2 ea AF222-2-2)
- J - 19 spread - 20 drops (19 ea B-22-T-22S & AF222-2-2)
- N - 4 spread - 10 drops w/ Cross (3 ea B-2222S & B-22-T-22S)
- R - no spread - 2 drops (B-22-T-22S)

of Spread and Drops WITH Swivel Tee Option

- A - 1 spread - 2 drops (AF3S2-2 & AF222-2-2)
- B - 2 spread - 3 drops (2 ea AF3S2-2 & AF222-2-2)
- C - 3 spread - 4 drops (3 ea AF3S2-2 & AF222-2-2)
- D - 4 spread - 5 drops (4 ea AF3S2-2 & AF222-2-2)
- F - 5 spread - 6 drops (5 ea AF3S2-2 & AF222-2-2)
- G - 6 spread - 7 drops (6 ea AF3S2-2 & AF222-2-2)
- H - 7 spread - 8 drops (7 ea AF3S2-2 & AF222-2-2)
- I - 8 spread - 9 drops (8 ea AF3S2-2 & AF222-2-2)
- K - 9 spread - 10 drops (9 ea AF3S2-2 & AF222-2-2)
- L - Two each 5 spread - 6 drops (10 ea AF3S2-2 & 2 ea AF222-2-2)
- M - 19 spread - 20 drops (19 ea AF3S2-2 & AF222-2-2)

Leader Supply Hose Assembly Length

- 04 - 4 foot long Hose (HAG3-12-3S-48)
- 06 - 6 foot long Hose (HAG3-12-3S-72)
- 07 - 7 foot long Hose (HAG3-12-3S-84)
- 20 - 20 foot long Hose (HAG3-12-3S-240)
- 2A - Two each 20 foot long Hose (HAG3-12-3S-240)
- 30 - 30 foot long Hose (HAG3-12-3S-360)
- 32 - 32 foot long Hose (HAG3-12-3S-384)
- 40 - 40 foot long Hose (HAG3-12-3S-480)
- 44 - 44 foot long Hose (HAG3-12-3S-528)
- 50 - 50 foot long Hose (HAG3-12-3S-600)
- 60 - 60 foot long Hose (HAG3-12-3S-720)

WAS

- 4 - 4 foot long Hose (HAG3-12-3S-48)
- 6 - 6 foot long Hose (HAG3-12-3S-72)
- 7 - 7 foot long Hose (HAG3-12-3S-84)

Quantity & Flowmeter Part Number

- 000 - No Flowmeters
- 1E7 - One each F5E-270P7 (w/ power take off)
- 2E7 - Two each F5E-270P7 (w/ power take off)
- 3E7 - Three each F5E-270P7 (w/ power take off)
- 3P7 - Three each F50-370P7
- 4P7 - Four each F50-370P7
- 5P7 - Five each F50-370P7
- 6P7 - Six each F50-370P7
- 7J1 - Seven each F50-370J1
- FP7 - Six each F506-3706P7
- JP7 - Ten each F50-370P7
- LP7 - Twelve each F50-370P7
- 5M5 - Five each F50-370M5
- 8M5 - Eight each F50-370M5
- JM5 - Ten each F50-370M5
- KM5 - Ten each F50A-370AM5
- KH1 - Ten each F50-370H1
- TH1 - Twenty each F50-370H1

- MP7 - Five each F50-370M5 & Three each F5E-370P7 (w/ power take off)
- VP1 - Twelve each F70-370P1

Bag

- 1 - BML750 (Short Mass Casualty Bag w/ std depth)
- 2 - BML755 (Short Mass Casualty Bag w/ deep depth)
- 5 - BML760 (Long Mass Casualty Bag w/ deep depth)

Regulator or Pressure Reducer

- 0 - none
- 1 - RR530-600
- 2 - DR5303-6003
- 7 - RR510-600 (2 each on Tee (CGA-540P-3121))
- 8 - RR833-600
- A - RR510A-600A
- G - DR5103-6003 (2 each on Tee (CGA-540P-3121))
- L - RR833-600 w/ RTA-870