



Mass Casualty Assembly

The Flotec **Mass Casualty Assembly** is an oxygen distribution manifold incorporating from one to 20 Flowmeters that when used with Flotec's Pressure Reducer can deliver 150 LPM of total flow. The added space between each patient, or rehabbing Firefighter, provides for optimum care and less chaos during emergency situations. The 20-foot leader hose can be easily connected to the ambulance/or other gas source, while providing space for triage. The hose used in the Flotec's **Mass Casualty Assembly** are free of Di(2-ethylhexyl)phthalate (DEHP) and free of Volatile Organic Compounds (VOC). The **Mass Casualty Assembly** is ideal for Hospital Capacity Expansions, Pop-Up or Mobile Tent Hospitals and Field Triage Scenarios where a Single Ambulance is able to supply six patients

- Unique Flowmeter with optional DISS Power Take Off, for auxiliary equipment
- Unique Flowmeter with optional Humidifier configuration
- Unique Optional Live Swivel or rigid Tee Connects
- Unique Optional drops available for Mobile Shelter and Hospital applications
- Available in a soft Canvas Bag or a water tight Hard Case
- Lanyards for suspending Flowmeters from IV Poles, or railing systems



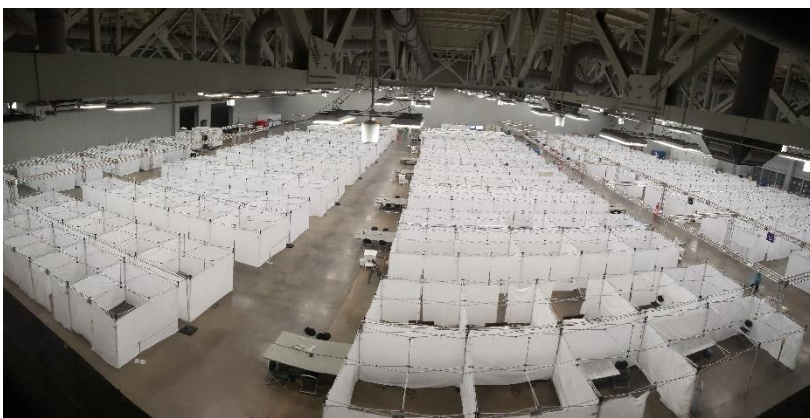
Manufactured exclusively in the United States of America



With the onset of Covid, the Flotec **Mass Casualty Assembly** system became an important solution for portable hospitals and mobile disaster response units. The addition of hose “drops” (extensions from the main distribution lines) situates flowmeters within close proximity to the patient and the caregiver. Demand for the manifolds in intensive care units and surgical centers increased. The latest innovation includes a vacuum system designed for portable surgical suites. Manifolds for Medical Air have recently been made available.



Here is a typical Convention Hall that was converted into a 460 room Mass Casualty Facility. Liquid Oxygen Trailers connected to heat exchangers outside the Convention Hall which converted the Liquid Oxygen into 11,500 liters per minute so that each room had 25 liters per minute to each flowmeter.





As Pandemic treatments evolved, Flotec created solutions. The first problem was solved by configuring the suspended flowmeter to connect to a Humidifier bottle. The next innovation incorporated a PTO (DISS-1240 Power Take-off) to provide oxygen source to Ventilators.

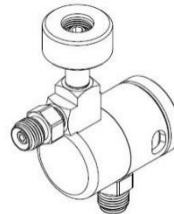
<p align="center">F5K-BN0xx</p> <p>Window at 9 o'clock, DISS-1240 Swivel inlet @ 12 o'clock & DISS-1240 outlet @ 6 o'clock w/ HBD2 Resident Nipple Adapter. Auxiliary 50 PSI DISS-1240 Check Valve located on end cap</p>	<p align="center">F5E-210xx with HBD2 attached</p> <p>Window at 12 o'clock, DISS-1240 Swivel inlet @ 12 o'clock & DISS-1240 outlet @ 6 o'clock w/ HBD2 Resident Nipple Adapter. Auxiliary 50 PSI DISS-1240 Check Valve located on Street Tee above cap</p>



F5K-250xx



F5K-BN0xx



F5E-250xx

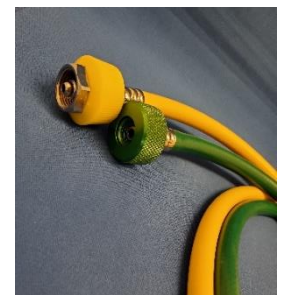
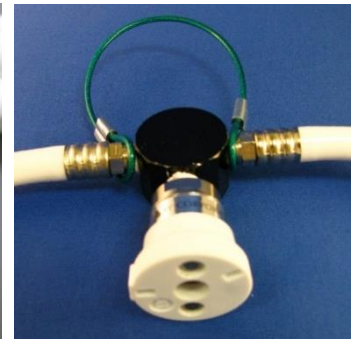


F5E-BN0xx



Flotec Hose Assemblies meet or are compliant with the following standards:

ISO 10993-1: 2009	Biological evaluation of medical devices
ISO 1307:2006	Rubber and plastics hoses — Hose sizes, minimum and maximum inside diameters, and tolerances on cut-to-length hoses.
ISO 13485: 2016	Medical Devices – Quality Management Systems
ISO 1402:2009	Rubber and plastics hoses and hose assemblies — Hydrostatic testing
EN ISO 14971:2012	Application of risk management to medical devices.
ISO 15001:2010	Anesthetic and respiratory equipment — Compatibility with oxygen
ISO 18562-3: 2017	Tests for emissions of volatile organic compounds (VOCs)
ISO 5359:2014	Low pressure hose assemblies for use with medical gases
ISO 8033:2016	Rubber and plastics hoses — Determination of adhesion between components
ISO 9170-1:2008	Terminal units for medical gas pipeline systems — Part 1: Terminal units for use with compressed medical gases and vacuum
RoHS Directive	Restriction of Hazardous Substances Directive
CGA G-4.1-2018	Cleaning of equipment for oxygen service
SOR/98-282	Canadian Medical Device Regulations
CAN/CSA-Z5359:16	Low pressure hose assemblies for use with medical gases Exemption 4.6.11B; Hose is nonconductive.





Flotec ~~Mass Casualty~~ Assembly's may include many of the following components.



InGage Pressure Reducer



Swivel Tee for ease of



High Pressure Tee



Optional 50 PSI PTO



2 or 3 Way Swivel
With Lanyard



Optional Water Tight Hard Case



Vacuum Y-Block



Vacuum Hose Connector



Cylinder Stand

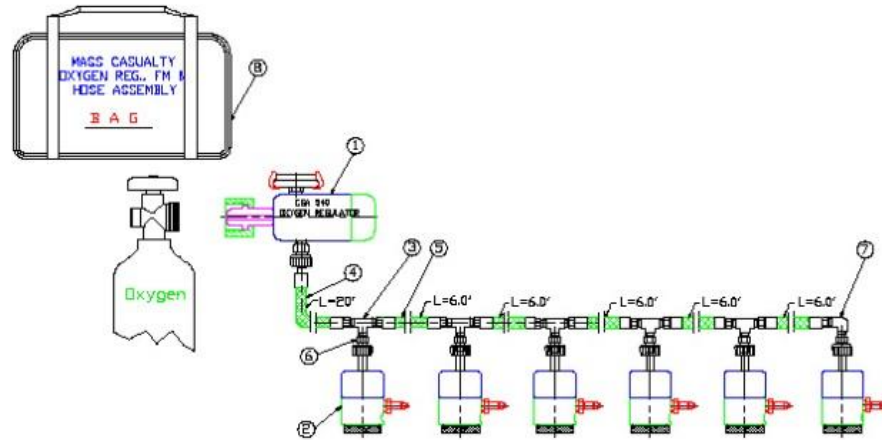


Large System Flow tester

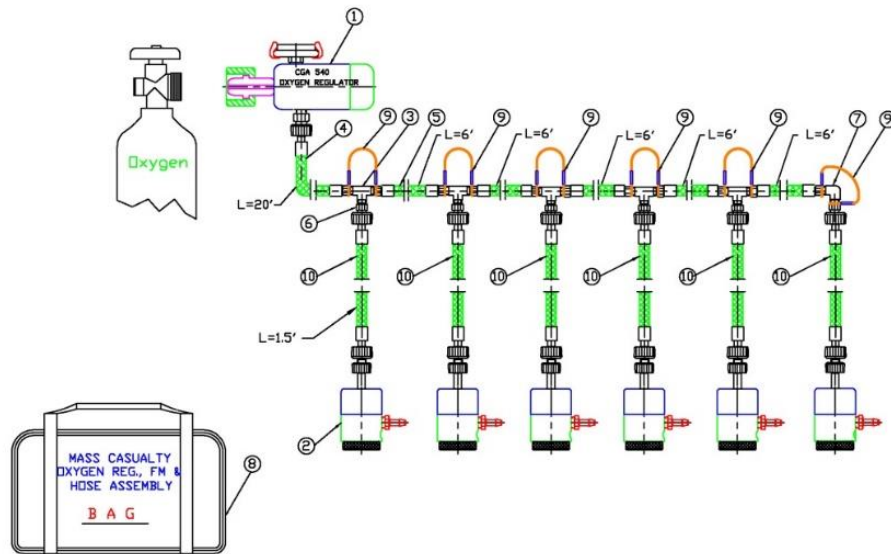


7625 West New York Street Indianapolis IN 46214-4911
 Phone: 317-273-6960 Fax: 317-273-6979
 e-mail: orderdesk@floteco2.com

www.floteco2.com
 Order Desk: 800-401-1723



Part Number	Description
MCA-226P7-205X0	InGage Pressure Reducer (RW pictured), Bag, Six 0-25 Flowmeters, 20" Leader Hose, five 72" hoses between each Flowmeter with <u>Fixed</u> Tees, no drops (Lanyards included but not pictured)
MCA-226P7-20FX0	InGage Pressure Reducer (RW pictured), Bag, Six 0-25 Flowmeters, 20" Leader Hose, five 72" hoses between each Flowmeter with <u>Swivel</u> Tees, no drops (Lanyards included but not pictured)

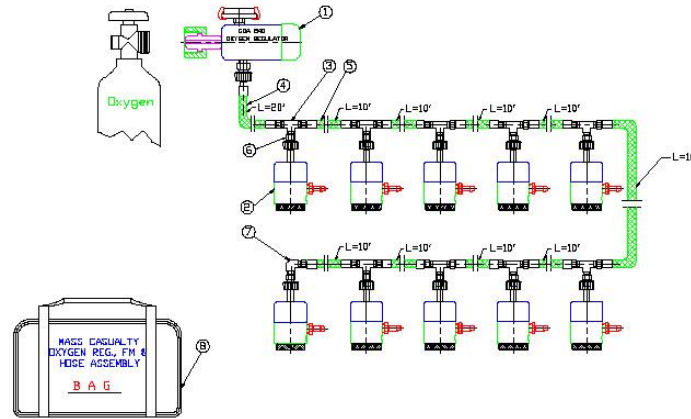


Part Number	Description
MCA-226P7-205XA	InGage Pressure Reducer (RW pictured), Bag, Six 0-25 Flowmeters, 20" Leader Hose, five 72" hoses between each Flowmeter with <u>Fixed</u> Tees, no drops (Lanyards included but not pictured), 18" Drops
MCA-226P7-20FXA	InGage Pressure Reducer (RW pictured), Bag, Six 0-25 Flowmeters, 20" Leader Hose, five 72" hoses between each Flowmeter with <u>Swivel</u> Tees, no drops (Lanyards included but not pictured), 18" Drops

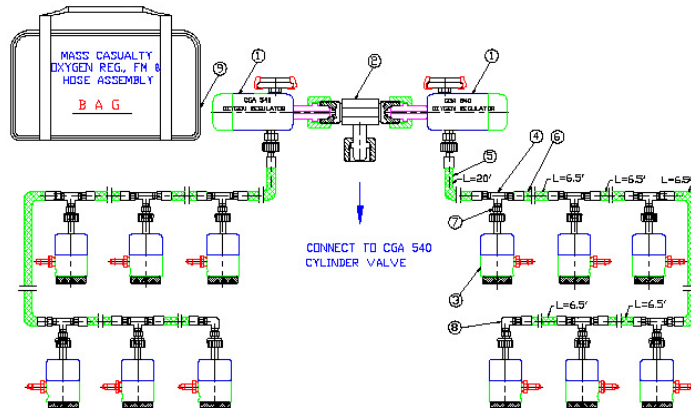


7625 West New York Street Indianapolis IN 46214-4911
 Phone: 317-273-6960 Fax: 317-273-6979
 e-mail: orderdesk@floteco2.com

www.floteco2.com
 Order Desk: 800-401-1723



Part Number	Description
MCA-15JM5-209X0	InGage Pressure Reducer (RW pictured), Bag, Ten 0-25 Flowmeters, 20" Leader Hose, nine 72" hoses between each Flowmeter with <u>Fixed</u> Tees, no drops (Lanyards included but not pictured)
MCA-15JM5-20KX0	InGage Pressure Reducer (RW pictured), Bag, Ten 0-25 Flowmeters, 20" Leader Hose, nine 72" hoses between each Flowmeter with <u>Swivel</u> Tees, no drops (Lanyards included but not pictured)
MCA-15JM5-20KXA	InGage Pressure Reducer (RW pictured), Bag, Ten 0-25 Flowmeters, 20" Leader Hose, nine 72" hoses between each Flowmeter with <u>Swivel</u> Tees, (Lanyards included but not pictured) , 18" Drops (not pictured)



Part Number	Description
MCA-G2LP7-2AEX0	InGage Pressure Reducer (RW pictured), Bag, Twelve 0-25 Flowmeters, Two 20" Leader Hose, ten 72" hoses between each Flowmeter with <u>Fixed</u> Tees, no drops (lanyards not pictured)
MCA-G2LP7-2ALA0	InGage Pressure Reducer (RW pictured), Bag, Twelve 0-25 Flowmeters, Two 20" Leader Hose, ten 72" hoses between each Flowmeter with <u>Swivel</u> Tees, no drops (lanyards not pictured)
MCA-G2LP7-2ALXA	InGage Pressure Reducer (RW pictured), Bag, Twelve 0-25 Flowmeters, Two 20" Leader Hose, ten 72" hoses between each Flowmeter with <u>Swivel</u> Tees, no drops (lanyards not pictured) , 18" Drops (not pictured)