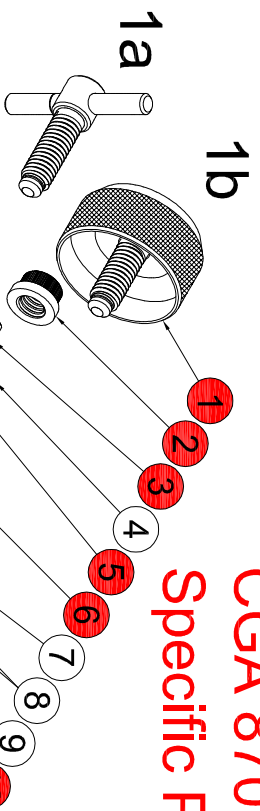


Date	Revision	Description	ECN #	Draft	Check
11-16-2017	A	Exploded Drawing Released	---	JW	
02-26-2019	B	Added CGA 540 Components: Added Outlet Fittings of Regulator and Flow Control Valve; Added Assembled Units with Part Numbers and Specifications	---	JW	
08-19-2019	C	Add Seal Kit Part Number Table	---	JW	
09-05-2019	D	Remove Double Stack, 1 seal kit = 10 of each item	---	JW	

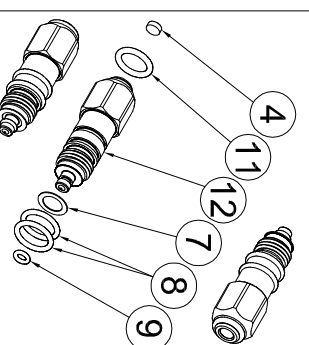
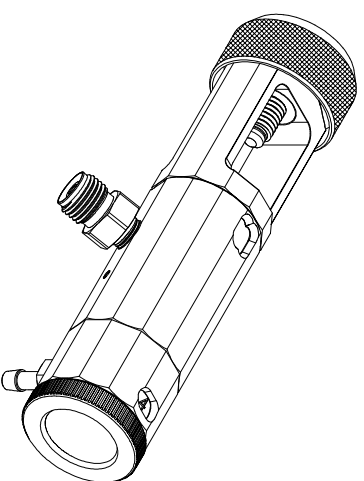
CGA 870 Specific Parts



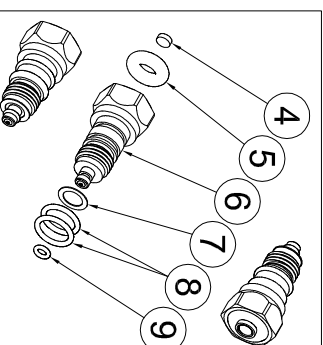
Example Part Number: DR8333-7103P4

Specifications

- 3000 PSI Ingage Window @ 0° Green Anodized
- CGA 870 Yoke Assembly with Dome Handle
- Two DISS-1240 Check Valves
- Flow Control Valve Window @ 0° Green Anodized
- Green Hose Barb Fitting @180°
- Large Diameter Knurled Knob
- 0.25 LPM Flow Orifices

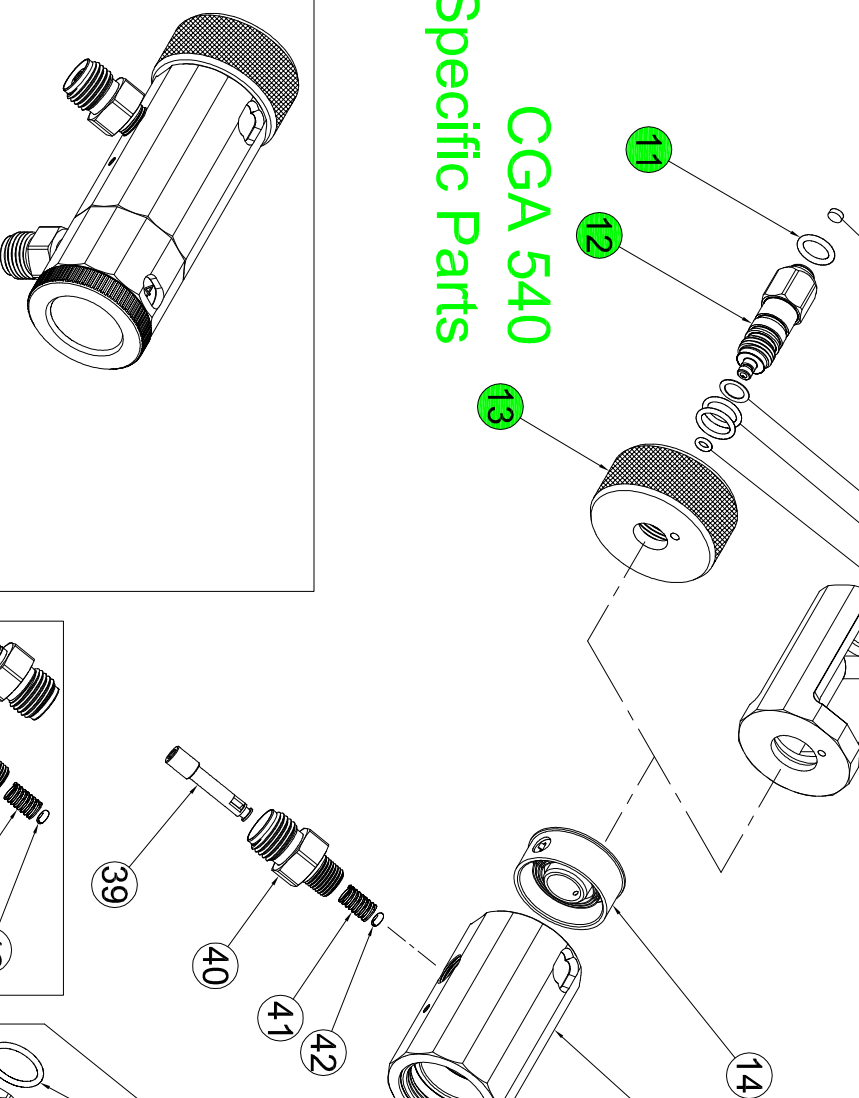


Sub-Assembly: 010-6224-512



Sub-Assembly: 010-6221-011

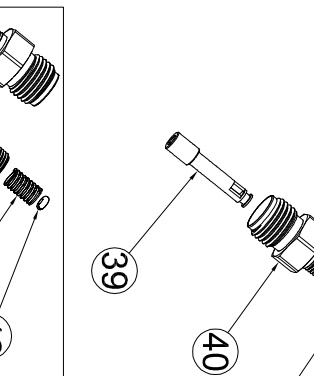
CGA 540 Specific Parts



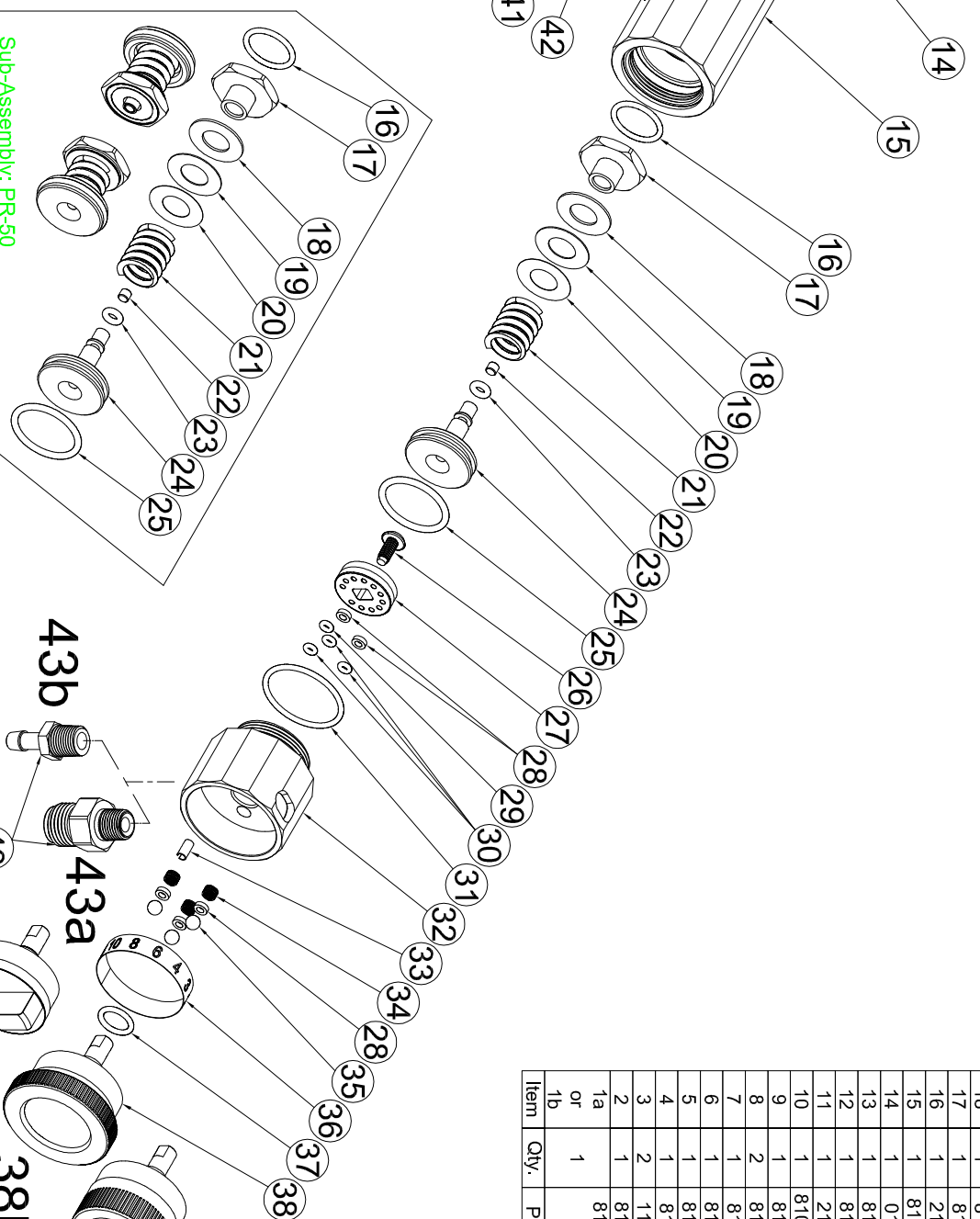
Example Part Number: DR5303-7103P4

Specifications

- 3000 PSI Ingage Window @ 0° Green Anodized
- CGA 540 Knurled Nut and Nipple
- Two DISS-1240 Check Valves
- Flow Control Valve Window @ 0° Green Anodized
- DISS-1240 Fitting @180°
- Large Diameter Knurled Knob
- 0.25 LPM Flow Orifices



Sub-Assembly: DCV-1240



Sub-Assembly: PR-50

Item	Qty.	Part Number	Description
43a or 43b	1	DF-1240 or HB12	DISS-1240 Fitting, Brass Plated or Hose Barb, Green Anodized Aluminum
42	1 or 2	210-6022-006	O-Ring, 70 Durometer Neoprene, DCV-1240
41	1 or 2	802-2173-001	Spring, DCV-1240, Stainless Steel
40	1 or 2	DF-1240	DISS-1240 Fitting, Brass Plated
39	1 or 2	802-2230-001	DCV-1240 Poppet, Brass
38a or 38b or 38c	1	810-6481-103 or 810-6481-203 or 810-6481-303	Tang Knob, Black Anodized Aluminum or Large Knurled Knob, Black Anodized Aluminum or Tang Knob, Black Anodized Aluminum
37	1	210-6028-010	O-Ring, 70 Durometer Silicone, Ø.239 X 0.070
36	1	810-6493-XXX	Decal (Matches Flow Specified)
35	3	553-0001-003	Ball Detent, 302 Stainless Steel
34	3	151-0001-001	Spring Detent, 302 Stainless Steel
33	3	112-2125-004	Spring Pin, Ø1/8 X 1/4 Length, Stainless Steel
32	1	810-6780-XXX	DL Flow Control Valve Body (Specify Window Location)
31	1	210-6022-022	O-Ring, 70 Durometer Neoprene, Ø.989 X 0.070
30	2	810-6562-001	O-Ring, 70 Duro Silicone, Ø2mm X 1.5mm
29	1	243-0200-150	O-Ring, 75 Durometer Viton, Ø2mm X 1.5mm
28	5	810-6495-001	Washer, Bearing, PTFE
27	1	810-6483-XXX	Rotor Assembly (Specify Flow Required)
26	1	109-4008-006	Screw, Self-Lock, Stainless Steel
25	1	210-6028-019	O-Ring, 70 Durometer Silicone, Ø.801 X 0.070
24	1	810-7052-101	Manifold, PR, Brass
23	1	210-6028-006	O-Ring, 70 Durometer Silicone, Ø.144 X 0.070
22	1	810-6236-001	Seal, Piston, PTFE
21	1	810-XXXX-XXX	PR Spring (Specify Required Outlet Pressure)
20	1	810-6487-021	Shim, PR, .003 Thick
19	1	810-6404-001	Shim, PR, 015 Thick
18	1	810-6506-001	Shim, PR, .032 Thick
17	1	810-6622-011	Manifold, PR, Brass
16	1	210-6022-015	O-Ring, Neoprene, 70 Durometer, Ø.551 X 0.070
15	1	810-6789-XXX	DL Swivel Body (Specify Port Angularity)
14	1	010-6222-001	DL Gauge Assembly (Ingage)
13	1	810-6788-549	DL 540 Knurled Nut Black Anodized Aluminum
12	1	810-6786-512	DL Swivel Connector, CGA 540 (Nut & Nipple Style)
11	1	210-6024-010	O-Ring, 90 Durometer, Ø1/4 X 1/16
10	1	810-XXXX-XXX	Swivel Yoke (Select Gas Type)
9	1	810-6737-003	O-Ring, Viton, 90 Durometer, Ø1mm X 2.5mm
8	2	810-6737-203	O-Ring, Viton, 90 Durometer, Ø9mm X 1mm
7	1	810-6790-001	Shim, Swivel Connector, Brass
6	1	810-6786-012	DL Swivel Connector (Yoke Style)
5	1	810-6737-303	O-Ring, Viton, 90 Durometer, Ø.234 X 0.139
4	1	810-6033-021	Filter Disk, Retainer, Bronze
3	2	112-1156-006	Dowel Pin Ø5/32 x 3/8 Long
2	1	810-6039-002	Insert Yoke
1a or 1b	1	810-6568-003 or DH209	T-Handle, Plated Brass or Dome Handle Assembly Black Anodized Aluminum

Seal Kit Part Number	Item #	Seal Part Number	Qty.
SEALKIT-010-6221-011	5	810-6737-303	10
	8	810-6737-203	20
	9	810-6737-003	10
	8	810-6737-203	20
	9	810-6737-003	10
SEALKIT-010-6224-512	11	210-6024-010	10
	16	210-6022-015	10
	22	810-6236-001	10
	23	210-6028-006	10
	25	210-6028-019	10
SEALKIT-PR-50	28	810-6495-001	50
	29	243-0200-150	10
	31	810-6562-001	30
	31	210-6022-022	10
	37	210-6028-010	10
SEALKIT-FCV	30	810-6562-001	30
	31	210-6022-022	10
	37	210-6028-010	10